

ENVELOPE / ASSEMBLY DRAWING

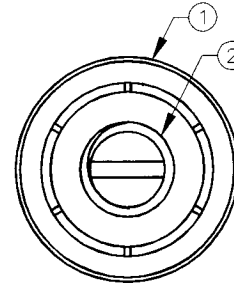
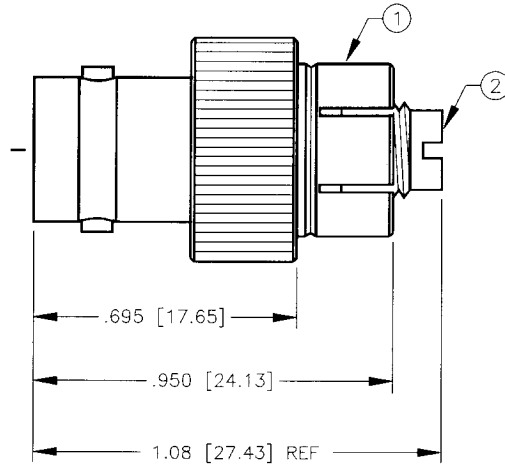
000000

SPECIFICATION CONTROL DRAWING

THIS DRAWING CONTAINS INFORMATION PROPRIETARY TO RF INDUSTRIES, LTD. ANY UNAUTHORIZED USE OF THIS DRAWING IS EXPRESSLY PROHIBITED. ANY VIOLATION IS PUNISHABLE UNDER U.S. COPYRIGHT LAWS.

REV	DESCRIPTION	DWN	DATE	APPROVED
A	ENGINEERING RELEASE	PB	12/16/92	J. BENZ
B	UPDATE & CHG CONTACT THREADS \ RPLS DWG #7874	PB	6/18/93	K.HARTMANN
C	ADD DIMS TO BODY & DIE \ CHG TO 1 PIECE CONTACT	KMM	9/19/95	R. RICE
D	CHANGE DIELECTRIC TO TRUE 50 OHM CONFIGURATION	KMM	12/16/98	R. RICE

ALL DIMENSIONS ARE REFERENCE ONLY



EQUIVALENT TO: KENWOOD E04-0256-25

SPECIFICATIONS:

IMPEDANCE: 50 OHMS
INTERFACE PER MIL-STD-348A, SECTION 301.2

DIMENSIONS ARE IN INCHES AND [MILLIMETERS]

UNLESS OTHERWISE NOTED TOLERANCES ARE:
DECIMALS DIAMETER

RF connectors
DIVISION OF RF INDUSTRIES, LTD.

7610 MIRAMAR RD
SAN DIEGO, CA 92126
(619)549-6340
(619)549-6345 FAX

RFB-1145

BNC FEMALE TO 1/4 X 32 STUD ADAPTER

ITEM	DESCRIPTION	QTY	MATERIAL	FINISH	APPROVALS	DATE
3	DIELECTRIC	1	*TEFLON	NONE		
2	CONTACT	1	BRASS	SILVER		
1	BODY	1	BRASS	NICKEL		

DRAWN K. MAXWELL	12/16/98
CHECKED <i>P. Breaux</i>	12/16/98
DESIGN DRAWN P. BREAUX	12/16/98

SIZE A	CABLE GROUP N/A	DWG NO. 8144	REV D
SCALE: 2:1	CAD FILE 13ARC B	SHEET 1 OF 1	