

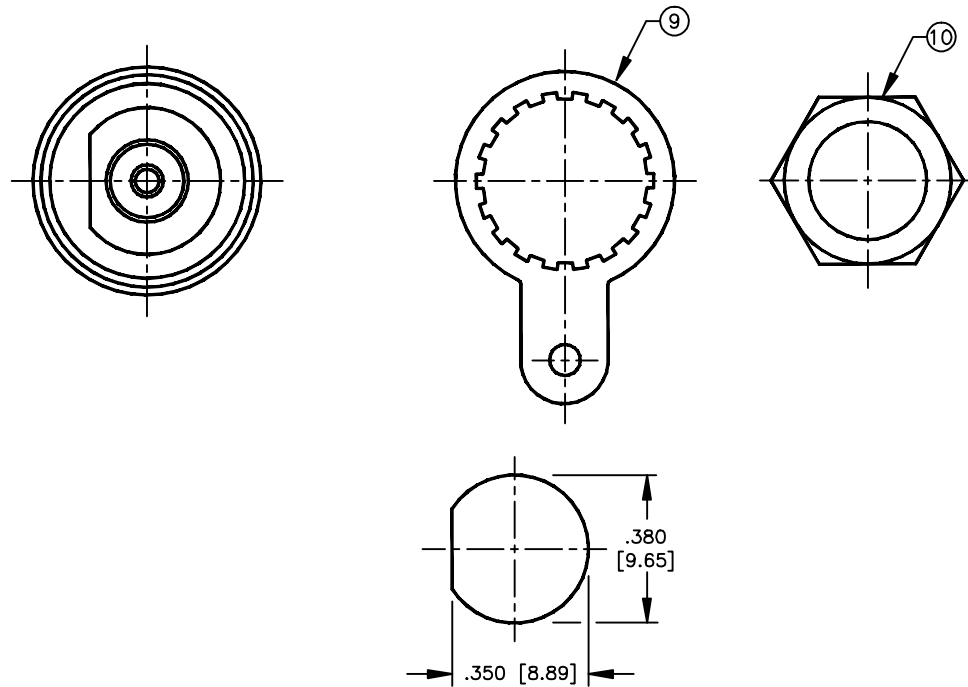
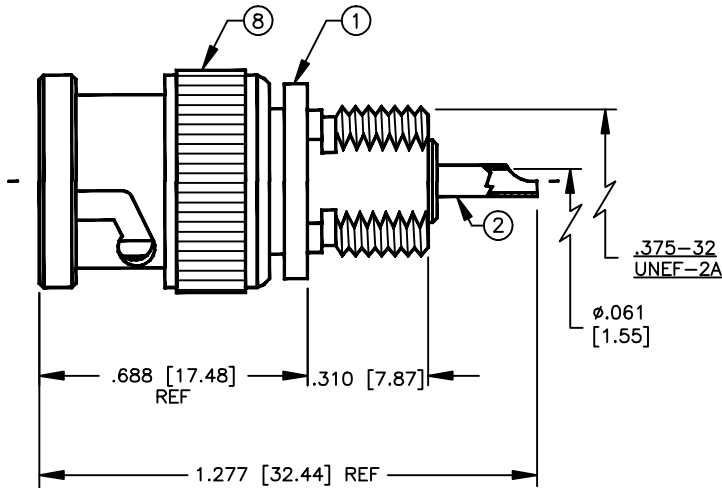
SPECIFICATION CONTROL DRAWING

THIS DRAWING CONTAINS INFORMATION PROPRIETARY TO RF INDUSTRIES, LTD. ANY UNAUTHORIZED USE OF THIS DRAWING IS EXPRESSLY PROHIBITED. ANY VIOLATION IS PUNISHABLE UNDER U.S. COPYRIGHT LAWS.

REV	DESCRIPTION	DWN	DATE	APPROVED
A	ENGINEERING RELEASE	KMM	6/20/95	R. RICE
B	NOW 1 PCE DIE/ ADD KNURL TO CONTACT/ CHG D FLAT AREA	KMM	9/11/98	R. RICE
C	STANDARDIZE SHELL / CHG BODY DIMS & DIE CONFIGURATION	CZS	7/14/99	R. RICE
D	CHANGE FLANGE THICKNESS	CZS	8/17/99	R. RICE

ALL DIMENSIONS ARE REFERENCE ONLY

000000



SPECIFICATIONS:

IMPEDANCE: 50 OHMS
 WORKING VOLTAGE: 500 VRMS @ SEA LEVEL
 FREQUENCY RANGE: 0-4 GHz
 INTERFACE PER MIL-STD-348A, SECTION 301.1

SUGGESTED MOUNTING CONFIGURATION

ITEM	DESCRIPTION	QTY	MATERIAL	FINISH
10	HEX NUT (HEX-375-32E)	1	BRASS	NICKEL
9	LOCK SOLDER LUG (LSL-380)	1	BRASS	NICKEL
8	SHELL	1	BRASS	NICKEL
7	WASHER	1	BRASS	NICKEL
6	SPRING	1	SK-5	NONE
5	SPLIT LOCK WASHER	1	BRASS	NICKEL
4	GASKET	1	S.I. RUBBER	RED
3	DIELECTRIC	1	PTFE	NONE
2	CONTACT	1	BRASS	GOLD
1	BODY	1	BRASS	NICKEL

DIMENSIONS ARE IN INCHES AND [MILLIMETERS]	
UNLESS OTHERWISE NOTED TOLERANCES ARE: DECIMALS DIAMETER	
DRAWN C. ZUNIGA	8/17/99
CHECKED	
ORJ DRAWN K. MAXWELL	6/20/95
APPROVALS	DATE

DIVISION OF RF INDUSTRIES, LTD.

7610 MIRAMAR RD
 SAN DIEGO, CA 92126
 (858) 549-6340
 (858) 549-6345 FAX

RFB-1143

BNC MALE BULKHEAD

SIZE A	CABLE GROUP N/A	DWG NO. 8526	REV D
SCALE: 2:1		CAD FILE 13ARC B	SHEET 1 OF 1