

ENVELOPE / ASSEMBLY DRAWING

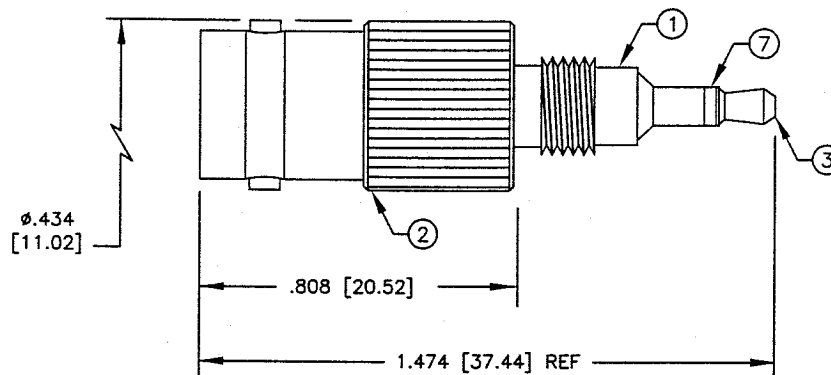
000000

SPECIFICATION CONTROL DRAWING

THIS DRAWING CONTAINS INFORMATION PROPRIETARY TO RF INDUSTRIES, LTD. ANY UNAUTHORIZED USE OF THIS DRAWING IS EXPRESSLY PROHIBITED. ANY VIOLATION IS PUNISHABLE UNDER U.S. COPYRIGHT LAWS.

REV	DESCRIPTION	DWN	DATE	APPROVED
B	CHANGED DIELECTRIC MATERIAL	WMD	1/7/94	C. JONES
C	ADDED TEFLON INSERT & DIMS	BMA	1/22/97	R. RICE
D	CHG ITEM #2 TO PRESS FIT \ REMOVE PART NUMBER	KMM	4/7/99	R. RICE
E	CHANGE BODY DIMENSION	CZS	12/12/99	J. D. McR

ALL DIMENSIONS ARE REFERENCE ONLY



SPECIFICATIONS:

INTERFACE PER MIL-STD-348, SECTION 301.2

ITEM	DESCRIPTION	QTY	MATERIAL	FINISH
9	PRESS FIT WASHER	1	BRASS	NICKEL
8	DIELECTRIC	1	TEFLON	NONE
7	DIELECTRIC	1	TEFLON	NONE
6	DIELECTRIC	1	TEFLON	NONE
5	DIELECTRIC	1	TEFLON	NONE
4	CONTACT	1	BRASS	GOLD
3	PIN	1	BRASS	NICKEL
2	BODY	1	BRASS	NICKEL
1	BNC BODY	1	BRASS	NICKEL

DIMENSIONS ARE IN INCHES AND [MILLIMETERS]

UNLESS OTHERWISE NOTED TOLERANCES ARE:
DECIMALS DIAMETER

DRAWN C. ZUNIGA 12/12/99

CHECKED *[Signature]* 12-99

ORJ DRAWN K. MAXWELL 8/17/93

APPROVALS DATE

RFconnectors
DIVISION OF RF INDUSTRIES, LTD.

7610 MIRAMAR RD
SAN DIEGO, CA 92126
(619)549-6340
(619)549-6345 FAX

RFB-1141

ADAPTER, BNC-F TO PHONO PLUG
FOR (MOTOROLA) GP-300 & CELLULAR P-110

SIZE	CABLE GROUP	DWG NO.	REV
A	N/A	8194	E

SCALE: 2:1 CAD FILE 13ARC B SHEET 1 OF 1