

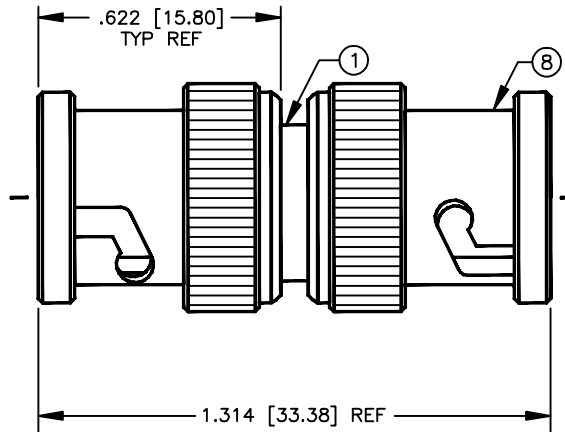
# SPECIFICATION CONTROL DRAWING

THIS DRAWING CONTAINS INFORMATION PROPRIETARY TO RF INDUSTRIES, LTD. ANY UNAUTHORIZED USE OF THIS DRAWING IS EXPRESSLY PROHIBITED. ANY VIOLATION IS PUNISHABLE UNDER U.S. COPYRIGHT LAWS.

REV	DESCRIPTION	DWN	DATE	APPROVED
A	ENGINEERING RELEASE	CJ	8/27/91	J. BENZ
A	ENGINEERING RELEASE RPLS DWG # 7195	CJ	3/31/92	J. BENZ
C	CHANGE PIN TO SILVER / STANDARDIZE	KMM	8/29/94	R. RICE
D	ADD BODY ID DIM / CHG BODY OD / PIN NOW GOLD	CZS	7/13/98	R. RICE

ALL DIMENSIONS ARE REFERENCE ONLY

000000



## SPECIFICATIONS:

IMPEDANCE: 50 OHMS  
 WORKING VOLTAGE: 500 VRMS @ SEA LEVEL  
 FREQUENCY RANGE: 0-4 GHz  
 INTERFACE PER MIL-STD-348A, SECTION 301.1

DIMENSIONS ARE IN INCHES AND [MILLIMETERS]

UNLESS OTHERWISE NOTED TOLERANCES ARE:

DECIMALS DIAMETER

DRAWN  
C. ZUNIGA 7/13/98

CHECKED

ORJ DRAWN  
C. JONES 8/27/91

APPROVALS DATE

**RFconnectors**  
 DIVISION OF RF INDUSTRIES, LTD.

7610 MIRAMAR RD  
 SAN DIEGO, CA 92126  
 (619)549-6340  
 (619)549-6345 FAX

## RFB-1133 \ UG491B/U

BNC MALE TO BNC MALE ADAPTER

SIZE A	CABLE GROUP N/A	DWG NO. 7471	REV D
-----------	--------------------	-----------------	----------

SCALE: 2:1

CAD FILE 13ARC B

SHEET 1 OF 1

ITEM	DESCRIPTION	QTY	MATERIAL	FINISH
8	SHELL	2	BRASS	NICKEL
7	WASHER	2	BRASS	NICKEL
6	SPRING	2	SK-5	NONE
5	SPLIT LOCK WASHER	2	BRASS	NICKEL
4	GASKET	2	S.I. RUBBER	RED
3	DIELECTRIC	2	PTFE	NONE
2	PIN	1	BRASS	GOLD
1	BODY	1	BRASS	NICKEL