

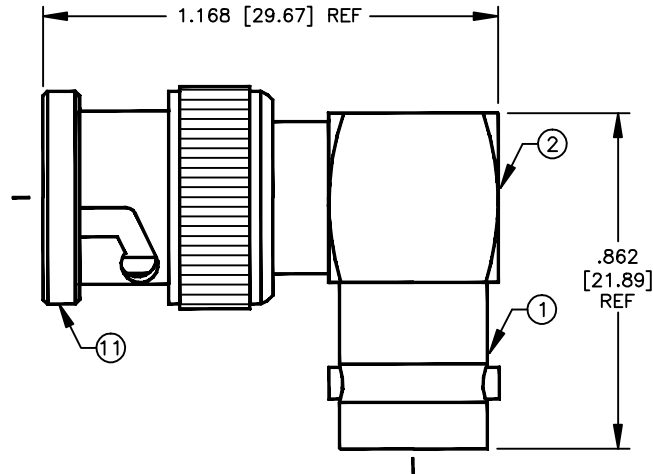
SPECIFICATION CONTROL DRAWING

THIS DRAWING CONTAINS INFORMATION PROPRIETARY TO RF INDUSTRIES, LTD. ANY UNAUTHORIZED USE OF THIS DRAWING IS EXPRESSLY PROHIBITED. ANY VIOLATION IS PUNISHABLE UNDER U.S. COPYRIGHT LAWS.

REV	DESCRIPTION	DWN	DATE	APPROVED
C	CHANGE PIN TO SILVER / CREATE SECTION DRAWING	KMM	8/11/94	R. RICE
D	CHANGE PRESS FIT DIMENSIONS	KMM	2/2/96	R. RICE
E	CHANGE LENGTH ITEM #4	KMM	9/9/97	R. RICE
F	CHG SHELL, BODY & PIN DIMS / CHG DIE ID & OD CONFIG	CZS	3/25/99	R. RICE

ALL DIMENSIONS ARE REFERENCE ONLY

000000



SPECIFICATIONS:

IMPEDANCE: 50 OHMS
 VOLTAGE RATING: 500 VRMS @ SEA LEVEL
 FREQUENCY RANGE: 0-4 GHz

ITEM	DESCRIPTION	QTY	MATERIAL	FINISH
11	SHELL	1	BRASS	NICKEL
10	WASHER	1	BRASS	NICKEL
9	SPRING	1	SK-5	NONE
8	SPLIT LOCK WASHER	1	BRASS	NICKEL
7	GASKET	1	S.I. RUBBER	RED
6	DIELECTRIC	1	PTFE	NONE
5	DIELECTRIC	1	PTFE	NONE
4	CONTACT	1	BRASS	SILVER
3	PIN	1	BRASS	SILVER
2	BODY	1	BRASS	NICKEL
1	PRESS FIT BODY	1	BRASS	NICKEL

DIMENSIONS ARE IN INCHES AND [MILLIMETERS]

UNLESS OTHERWISE NOTED TOLERANCES ARE:
 DECIMALS DIAMETER

DRAWN
C. ZUNIGA 3/25/99

CHECKED

ORJ DRAWN
C. ZUNIGA 3/25/99

APPROVALS DATE

RFconnectors
 DIVISION OF RF INDUSTRIES, LTD.

7610 MIRAMAR RD
 SAN DIEGO, CA 92126
 (619)549-6340
 (619)549-6345 FAX

RFB-1132 \ UG306A/U

BNC MALE TO BNC FEMALE RIGHT ANGLE ADAPTER

SIZE	CABLE GROUP	DWG NO.	REV
A	N/A	7669	F

SCALE: 2:1 CAD FILE 13ARC B SHEET 1 OF 1