

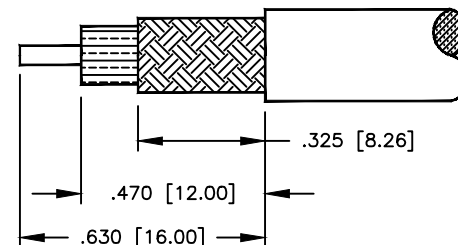
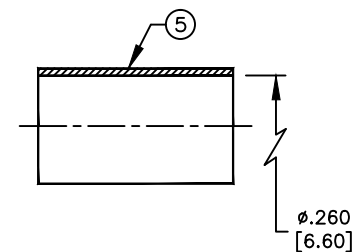
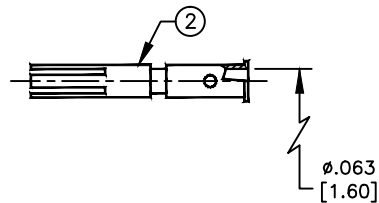
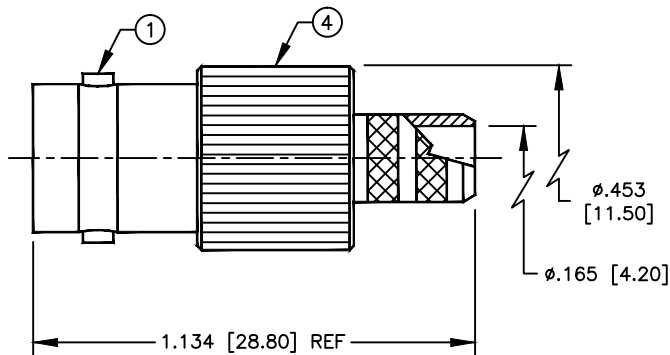
# SPECIFICATION CONTROL DRAWING

THIS DRAWING CONTAINS INFORMATION PROPRIETARY TO RF INDUSTRIES, LTD. ANY UNAUTHORIZED USE OF THIS DRAWING IS EXPRESSLY PROHIBITED. ANY VIOLATION IS PUNISHABLE UNDER U.S. COPYRIGHT LAWS.

REV	DESCRIPTION	DWN	DATE	APPROVED
A	ENGINEERING RELEASE	CZS	3/18/99	R. RICE

ALL DIMENSIONS ARE REFERENCE ONLY

008974



SUGGESTED STRIPPING INSTRUCTIONS  
SUGGESTED CRIMP DIES: .068 & .255

## SPECIFICATIONS:

IMPEDANCE: 50 OHMS  
 WORKING VOLTAGE: 500 VRMS @ SEA LEVEL  
 FREQUENCY RANGE: 0-4 GHz  
 INSERTION LOSS:  $\leq$  -.2 dB @ 3 GHz  
 VSWR MAX: 1.4:1 @ 3 GHz  
 FOR RG-8/X & 30/U, BELDEN 9258, MAXRAD M8X-100 & M8X-1000, MICRO 8/U, REMEE 1600, SAXTON 8315 & TIMES LMR-240 & LMR-240 ULTRAFLEX CABLE

DIMENSIONS ARE IN INCHES AND [MILLIMETERS]

UNLESS OTHERWISE NOTED TOLERANCES ARE:

DECIMALS      DIAMETER

RF

connectors

DIVISION OF RF INDUSTRIES, LTD.

7610 MIRAMAR RD  
SAN DIEGO, CA 92126  
(619)549-6340  
(619)549-6345 FAX

## RFB-1124-1X

BNC JACK CRIMP

ITEM	DESCRIPTION	QTY	MATERIAL	FINISH
5	FERRULE	1	BRASS	NICKEL
4	BODY	1	BRASS	NICKEL
3	DIELECTRIC	1	DELTRIN	NONE
2	CONTACT	1	PHOS BRONZE	GOLD
1	BODY	1	BRASS	NICKEL

DRAWN C. ZUNIGA	3/18/99
CHECKED	
ORJ DRAWN C. ZUNIGA	3/18/99
APPROVALS	DATE

SIZE	CABLE GROUP	DWG NO.	REV
A	X	9075	A
SCALE: NTS		CAD FILE	SHEET 1 OF 1