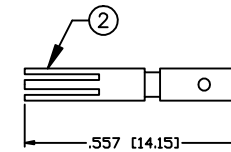
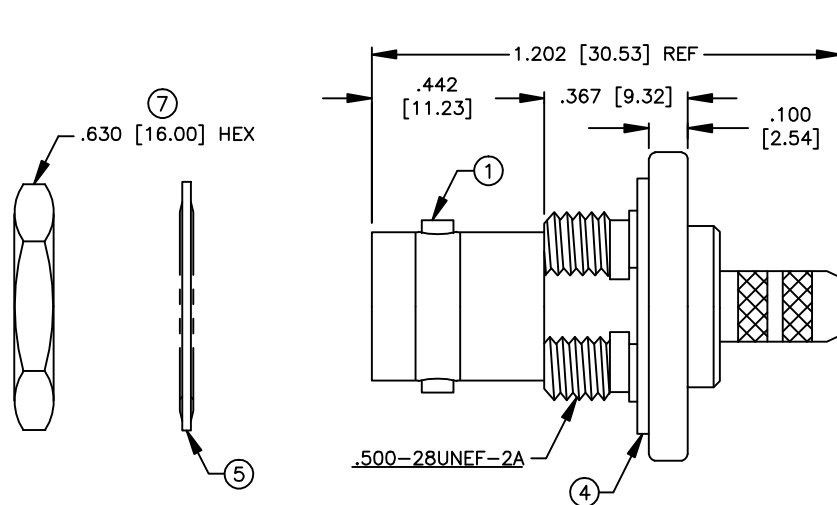


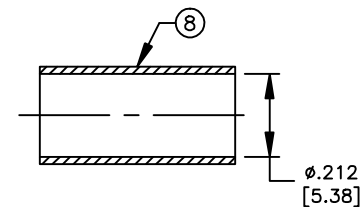
PART NO.

**RFB-1117-C2**

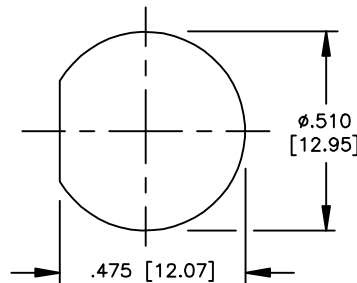
REV	DESCRIPTION	DWN	DATE	APPROVED
-	ENGINEERING RELEASE	CZS	05/23/12	JDMc



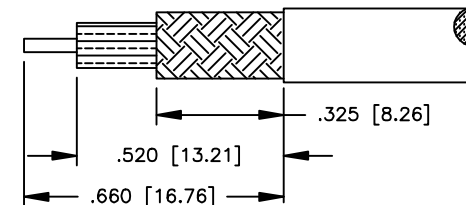
RECOMMENDED CRIMP DIE: .068"



RECOMMENDED CRIMP DIE: .213"



RECOMMENDED MOUNTING CONING.



RECOMMENDED STRIPPING INSTRUCTIONS

**SPECIFICATIONS:**

IMPEDANCE: 50 Ohms  
 FREQUENCY RANGE: 0-4 GHz  
 VSWR: 1.3 Max.  
 WORKING VOLTAGE: 500 V rms @ sea level  
 TEMPERATURE RANGE: -65°C TO 85°C  
 INSULATION RESISTANCE: 5k M Ohms min.  
 FOR TIMES LMR-200, ALPHA 9848 & MSI-22

ITEM	DESCRIPTION	QTY	MATERIAL	FINISH
8	FERRULE	1	BRASS	NICKEL 100 $\mu$ "
7	HEX NUT	1	BRASS	NICKEL 100 $\mu$ "
6	PRESS FIT WASHER	1	BRASS	NICKEL 100 $\mu$ "
5	LOCKWASHER	1	SK-5	NICKEL 100 $\mu$ "
4	GASKET	1	S.I. RUBBER	----
3	DIELECTRIC	1	DELTRIN	NONE
2	CONTACT	1	BRASS	GOLD 30 $\mu$ "
1	BODY	1	BRASS	NICKEL 100 $\mu$ "

CUSTOMER  
OUTLINE DRAWINGALL DIMENSIONS  
ARE REFERENCE ONLYUNLESS OTHERWISE SPECIFIED:  
DIMENSIONS ARE IN INCHES  
AND [MILLIMETERS]DRAWN  
C. ZUNIGA 05/23/12

CHECKED

ORJ DRAWN  
C. ZUNIGA 1/11/00**RoHS  
COMPLIANT**

PROPRIETARY AND CONFIDENTIAL  
 THIS DRAWING CONTAINS  
 INFORMATION PROPRIETARY TO  
 RF INDUSTRIES. ANY  
 UNAUTHORIZED USE OF THIS  
 DRAWING IS EXPRESSLY  
 PROHIBITED WITHOUT WRITTEN  
 PERMISSION FROM RF  
 INDUSTRIES. ANY VIOLATION IS  
 PUNISHABLE UNDER U.S.  
 COPYRIGHT LAWS.

**RFconnectors**

DIVISION OF RF INDUSTRIES, LTD.

7610 MIRAMAR RD.  
 SAN DIEGO, CA 92126  
 (858) 549-6340  
 (858) 549-6345 FAX

**BNC JACK, CRIMP  
BULKHEAD**

SIZE	CABLE GROUP	DWG NO.	REV
A	C2	<b>RFB-1117-C2</b>	—
SCALE: NTS	ENGINEERING ID: 000000	SHEET 1 OF 1	