

ENVELOPE / ASSEMBLY DRAWING

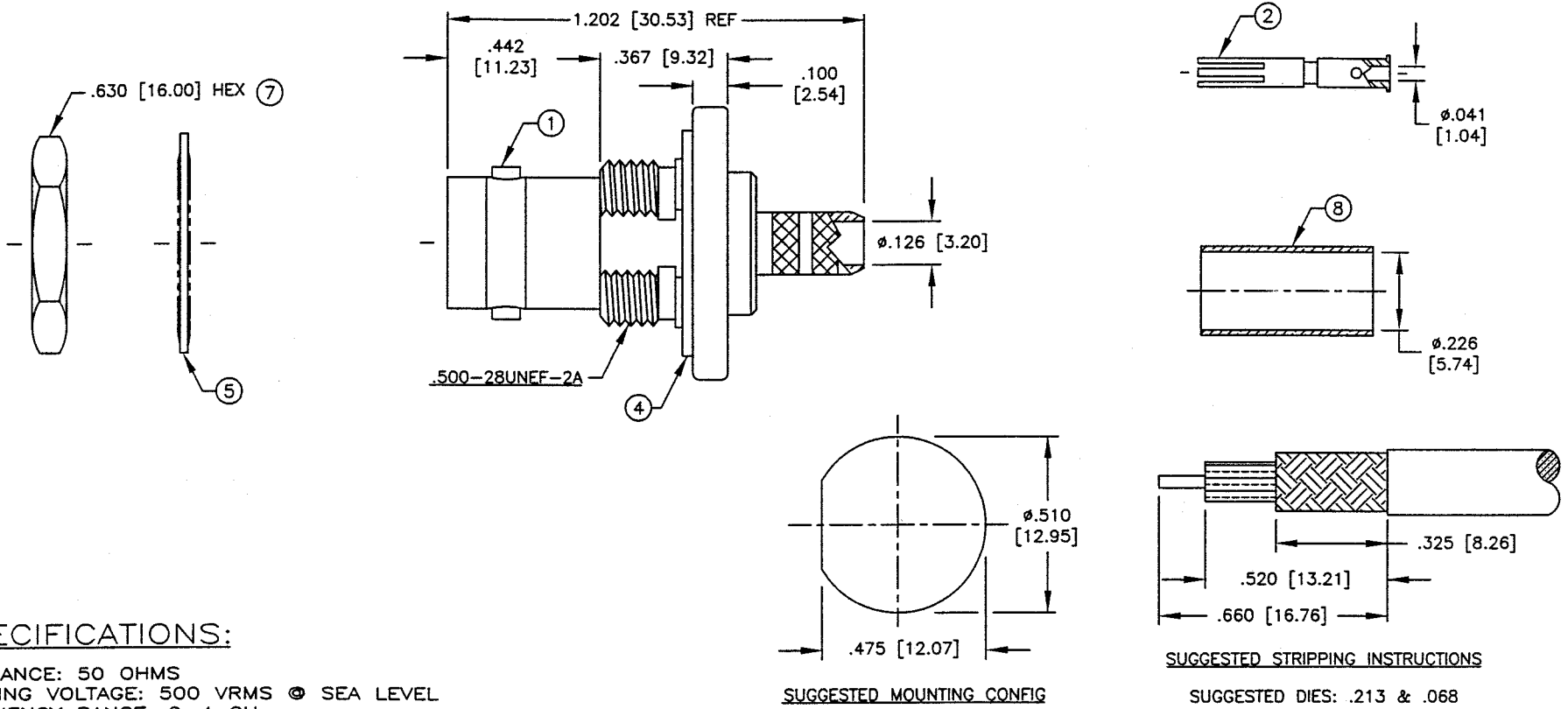
000486

SPECIFICATION CONTROL DRAWING

THIS DRAWING CONTAINS INFORMATION PROPRIETARY TO RF INDUSTRIES, LTD. ANY UNAUTHORIZED USE OF THIS DRAWING IS EXPRESSLY PROHIBITED. ANY VIOLATION IS PUNISHABLE UNDER U.S. COPYRIGHT LAWS.

REV	DESCRIPTION	DWN	DATE	APPROVED
-	ENGINEERING RELEASE	CZS	1/11/00	J. D. McR

ALL DIMENSIONS ARE REFERENCE ONLY



SPECIFICATIONS:

IMPEDANCE: 50 OHMS
 WORKING VOLTAGE: 500 VRMS @ SEA LEVEL
 FREQUENCY RANGE: 0-4 GHz
 INSERTION LOSS: \leq -2dB @ 3 GHz
 VSWR MAX: 1.4:1 @ 3 GHz
 FOR RG-55, 55A, 55B, 142, 142A, 142B, 223 & 400/U,
 ALPHA 9055, 9055B, 9223, BELDEN 8219, 83242, 84142, 9907
 INTERFACE PER MIL-STD-348, SECTION 301.2

DIMENSIONS ARE IN INCHES AND [MILLIMETERS]

UNLESS OTHERWISE NOTED TOLERANCES ARE:
 DECIMALS DIAMETER

DRAWN	C. ZUNIGA	1/11/00
CHECKED	<i>CZ</i>	1-12-00
ORJ DRAWN	C. ZUNIGA	1/11/00
APPROVALS	DATE	

7610 MIRAMAR RD
 SAN DIEGO, CA 92126
 (858) 549-6340
 (858) 549-6345 FAX

RFconnectors
 DIVISION OF RF INDUSTRIES, LTD.

RFB-1117-C1
 BNC FEMALE CRIMP BULKHEAD

SIZE	CABLE GROUP	DWG NO.	REV
A	C1	RFB1117C1	-
SCALE: 2:1	CAD FILE 13ARC B	SHEET 1 OF 1	

ITEM	DESCRIPTION	QTY	MATERIAL	FINISH
8	FERRULE [FER-10C1]	1	BRASS	NICKEL
7	HEX NUT [HEX-500-28E]	1	BRASS	NICKEL
6	PRESS FIT WASHER	1	BRASS	NICKEL
5	LOCKWASHER [LKW-500]	1	SK-5	NICKEL
4	GASKET [GSB-480-640]	1	S.I. RUBBER	RED
3	DIELECTRIC	1	DELTRIN	NONE
2	CONTACT	1	BRASS	GOLD
1	BODY	1	BRASS	NICKEL