

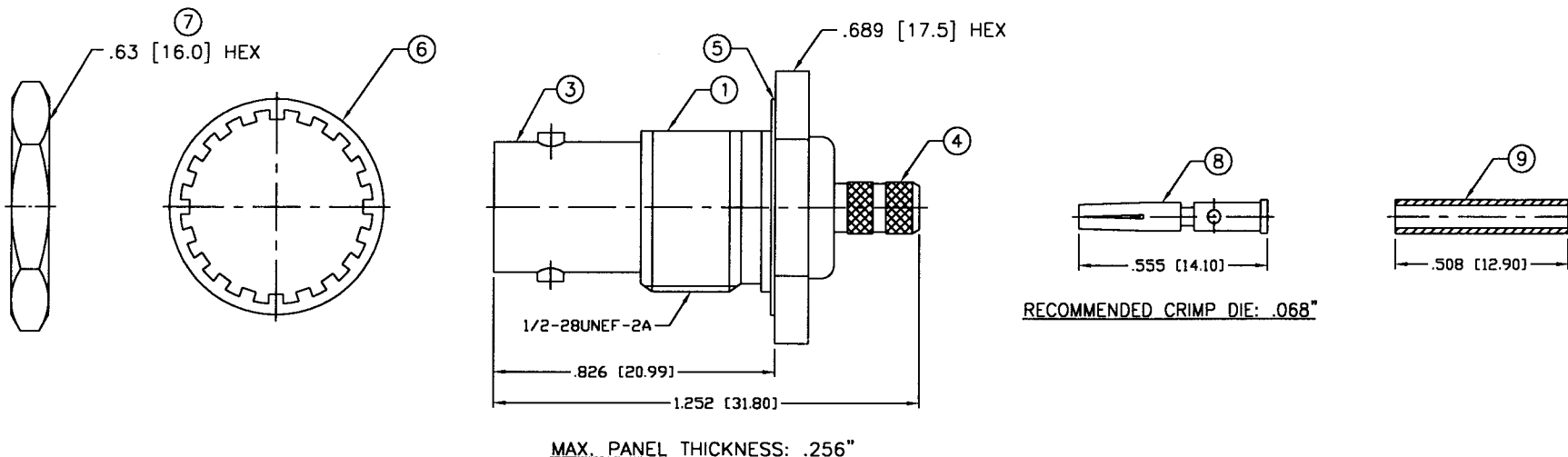
THIS DRAWING CONTAINS INFORMATION PROPRIETARY TO RF INDUSTRIES.  
 ANY UNAUTHORIZED USE OF THIS DRAWING IS EXPRESSLY PROHIBITED  
 WITHOUT WRITTEN PERMISSION FROM RF INDUSTRIES.  
 ANY VIOLATION IS PUNISHABLE UNDER U.S. COPYRIGHT LAWS.

ALL DIMENSIONS ARE REFERENCE ONLY

PART NO.

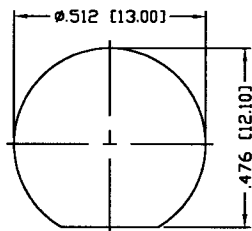
**RFB-1117-BT-03**

| REV | DESCRIPTION   | DWN | DATE     | APPROVED |
|-----|---|-----|----------|----------|
| A   | ENGINEERING RELEASE                                   | CZS | 8/4/98   | R. RICE  |
| B   | CONNECTOR NOW WILL ACCEPT MAX PANEL THICKNESS OF .140 | CZS | 9/3/98   | R. RICE  |
| C   | CHG DIMS THROUGHOUT, FORMAT, STRIPING & DWG # 8951B   | CZS | 1/31/02  | JDMc     |
| D   | CHANGE INSERT LENGTH (ITEM #9)                        | CZS | 11/17/03 | JDMc     |

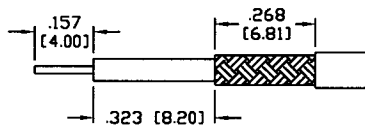


**SPECIFICATIONS:**

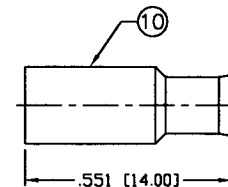
IMPEDANCE: 50 Ohms  
 FREQUENCY RANGE: 0-4 GHz  
 VSWR: 1.3 Max.  
 WORKING VOLTAGE: 500 V rms @ sea level  
 TEMPERATURE RANGE: -65°C TO 85°C  
 INSULATION RESISTANCE: 5k M Ohms min.  
 FOR RG-174, 188, 188A, 316/U, ALPHA 9174,  
 9316 BELDEN 8216, 83269, 83284, 84316  
 & TIMES LMR-100A CABLE



RECOMMENDED MOUNTING HOLE



RECOMMENDED STRIPPING DIM'S



RECOMMENDED CRIMP DIE: .178"

|    |              |     |             |               |           |      |
|----|--------------|-----|-------------|---------------|-----------|------|
| 1  | BODY         | 1   | BRASS       | NICKEL, 100μ" | 008974    |      |
| 2  | INSULATOR    | 1   | PTFE        | ---           |           |      |
| 3  | PRESS BODY   | 1   | BRASS       | NICKEL, 100μ" |           |      |
| 4  | FERRULE STUD | 1   | BRASS       | NICKEL, 100μ" |           |      |
| 5  | GASKET       | 1   | RUBBER      | ---           |           |      |
| 6  | WASHER       | 1   | BRASS       | NICKEL, 100μ" |           |      |
| 7  | HEX NUT      | 1   | BRASS       | NICKEL, 100μ" |           |      |
| 8  | CONTACT      | 1   | PHOS BRONZE | GOLD, 3μ"     |           |      |
| 9  | INSERT       | 1   | DELTRIN     | ---           |           |      |
| 10 | FERRULE      | 1   | BRASS       | NICKEL, 100μ" |           |      |
| 11 |              |     |             |               |           |      |
| 12 |              |     |             |               |           |      |
| 13 |              |     |             |               |           |      |
| 14 |              |     |             |               |           |      |
| #  | DESCRIPTION  | QTY | MATERIAL    | FINISH        | APPROVALS | DATE |

DRAWN  
 C. ZUNIGA  
 CHECKED  
 ORJ DRAWN  
 C. ZUNIGA  
 11/17/03  
 8/4/98

UNLESS OTHERWISE SPECIFIED:

DIMENSIONS ARE IN INCHES  
 AND [MILLIMETERS]  
 UNLESS OTHERWISE NOTED  
 TOLERANCES ARE:  
 DECIMALS      DIAMETER

**RFconnectors**  
 DIVISION OF RF INDUSTRIES, LTD.

7610 MIRAMAR RD  
 SAN DIEGO, CA 92126  
 (858) 549-6340  
 (858) 549-6345 FAX

**BNC JACK, CRIMP**

BULKHEAD, WITH PANEL SEAL GASKET

|            |             |                  |              |
|------------|-------------|------------------|--------------|
| SIZE       | CABLE GROUP | DWG NO.          | REV          |
| A          | B           | RFB-1117-BT-03   | D            |
| SCALE: NTS |             | CAD FILE OUTLINE | SHEET 1 OF 1 |