

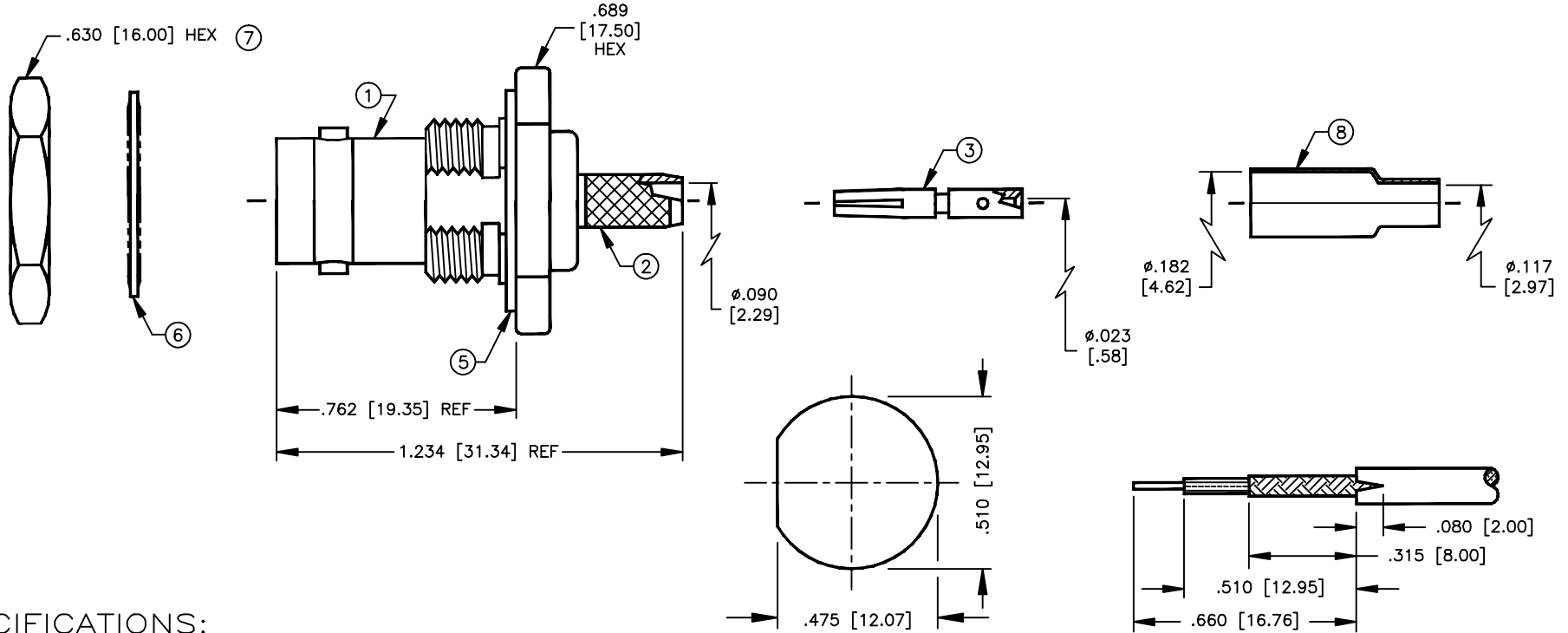
SPECIFICATION CONTROL DRAWING

THIS DRAWING CONTAINS INFORMATION PROPRIETARY TO RF INDUSTRIES, LTD. ANY UNAUTHORIZED USE OF THIS DRAWING IS EXPRESSLY PROHIBITED. ANY VIOLATION IS PUNISHABLE UNDER U.S. COPYRIGHT LAWS.

REV	DESCRIPTION	DWN	DATE	APPROVED
A	ENGINEERING RELEASE	KMM	3/6/99	R. RICE

ALL DIMENSIONS ARE REFERENCE ONLY

000360



SPECIFICATIONS:

IMPEDANCE: 50 OHMS
 WORKING VOLTAGE: 500 VRMS @ SEA LEVEL
 FREQUENCY RANGE: 0-4 GHz
 INSERTION LOSS: ≤ -.2 dB @ 3 GHz
 VSWR MAX: 1.4:1 @ 3 GHz
 FOR RG-316/U DOUBLE SHIELD CABLE

PANEL MOUNTING CONFIG
 MAXIMUM PANEL THICKNESS: .200 [5.08]

SUGGESTED STRIPPING INSTRUCTIONS
 SUGGESTED CRIMP DIE: .068, .178 & .130

DIMENSIONS ARE IN INCHES
 AND [MILLIMETERS]

UNLESS OTHERWISE NOTED
 TOLERANCES ARE:
 DECIMALS DIAMETER

DRAWN
 K. MAXWELL 3/6/99
 CHECKED
 ORJ DRAWN
 K. MAXWELL 3/6/99

APPROVALS DATE

RFconnectors
 DIVISION OF RF INDUSTRIES, LTD.

7610 MIRAMAR RD
 SAN DIEGO, CA 92126
 (619)549-6340
 (619)549-6345 FAX

RFB-1117-B1-T

BNC FEMALE CRIMP BULKHEAD, REAR MOUNT

SIZE	CABLE GROUP	DWG NO.	REV
A	B1	9046	A
SCALE: 2:1		CAD FILE 13ARC B	SHEET 1 OF 1

ITEM	DESCRIPTION	QTY	MATERIAL	FINISH
8	FERRULE [FER-10B1]	1	COPPER	NICKEL
7	HEX NUT	1	BRASS	NICKEL
6	LOCK WASHER	1	BRASS	NICKEL
5	GASKET	1	S.I. RUBBER	RED
4	DIELECTRIC	1	PTFE	NONE
3	CONTACT	1	BRASS	GOLD
2	PRESS-FIT FER STUD	1	BRASS	NICKEL
1	BODY	1	BRASS	NICKEL