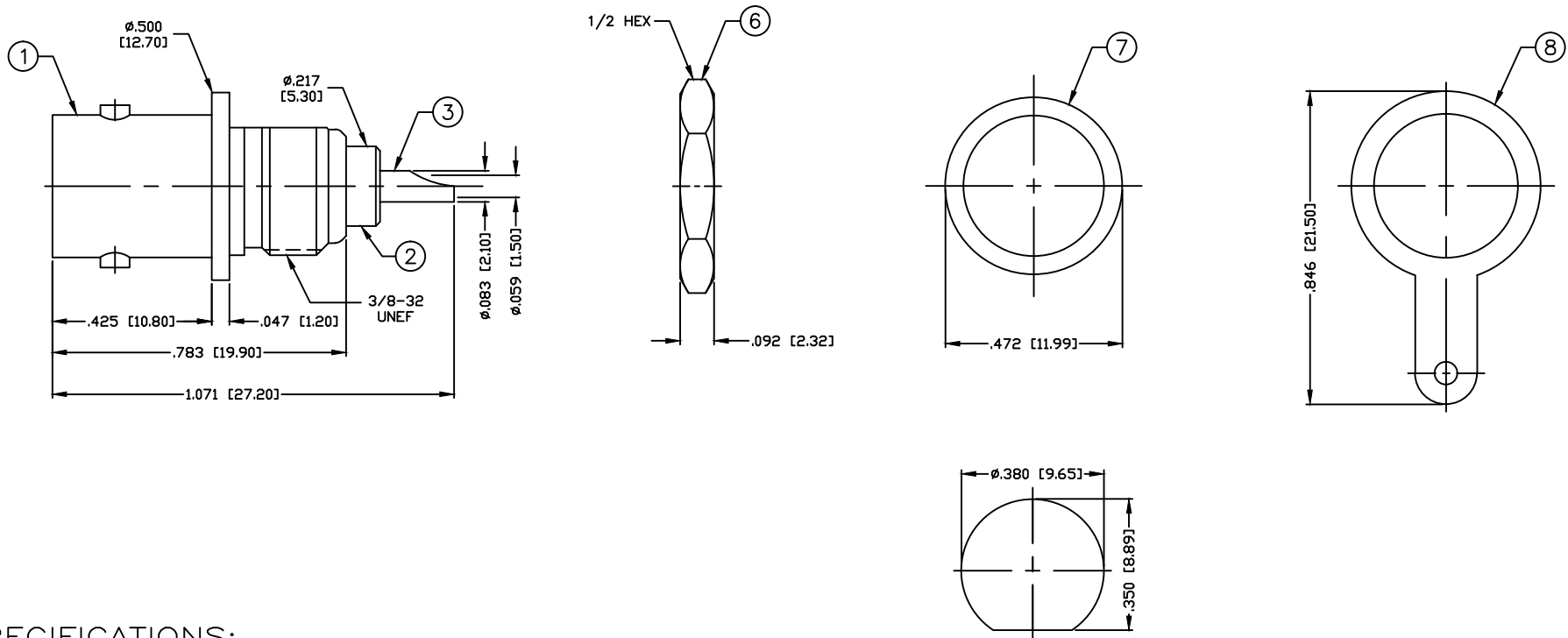


THIS DRAWING CONTAINS INFORMATION PROPRIETARY TO RF INDUSTRIES.
 ANY UNAUTHORIZED USE OF THIS DRAWING IS EXPRESSLY PROHIBITED
 WITHOUT WRITTEN PERMISSION FROM RF INDUSTRIES.
 ANY VIOLATION IS PUNISHABLE UNDER U.S. COPYRIGHT LAWS.

ALL DIMENSIONS ARE REFERENCE ONLY

PART NO.		RFB-1116		
REV	DESCRIPTION	DWN	DATE	APPROVED
-	ENGINEERING RELEASE	GGG	2/06/02	CZS



RECOMMENDED
MOUNTING HOLE

SPECIFICATIONS:

IMPEDANCE: 50 Ohms
 FREQUENCY RANGE: 0-4 GHz
 WORKING VOLTAGE: 500 V rms @ sea level
 TEMPERATURE RANGE: -65°C TO 165°C

1	BODY	1	ZINC DIECAST	NICKEL, 80μ"	007777	
2	INSULATOR	1	DELTRIN	---		
3	CONTACT	1	BRASS	GOLD, 3μ"		
4	INSULATOR	1	DELTRIN	---		
5	PRESS WASHER	1	BRASS	NICKEL, 80μ"		
6	HEX NUT	1	BRASS	NICKEL, 80μ"		
7	WASHER	1	BRASS	NICKEL, 80μ"		
8	SOLDER LUG	1	BRASS	NICKEL, 80μ"		
9						
10						
11						
12						
13						
14						
#	DESCRIPTION	QTY	MATRL	FINISH	APPROVALS	DATE

UNLESS OTHERWISE SPECIFIED:

DIMENSIONS ARE IN INCHES
 AND [MILLIMETERS]
 UNLESS OTHERWISE NOTED
 TOLERANCES ARE:
 DECIMALS DIAMETER

RF connectors
 DIVISION OF RF INDUSTRIES, LTD.
 7610 MIRAMAR RD
 SAN DIEGO, CA 92126
 (858) 549-6340
 (858) 549-6345 FAX

BNC JACK, BULKHEAD
 FRONT MOUNT WITH D-FLAT

SIZE	CABLE GROUP	DWG NO.	REV
A	N/A	RFB-1116	-
SCALE: NTS		CAD FILE OUTLINE	SHEET 1 OF 1