

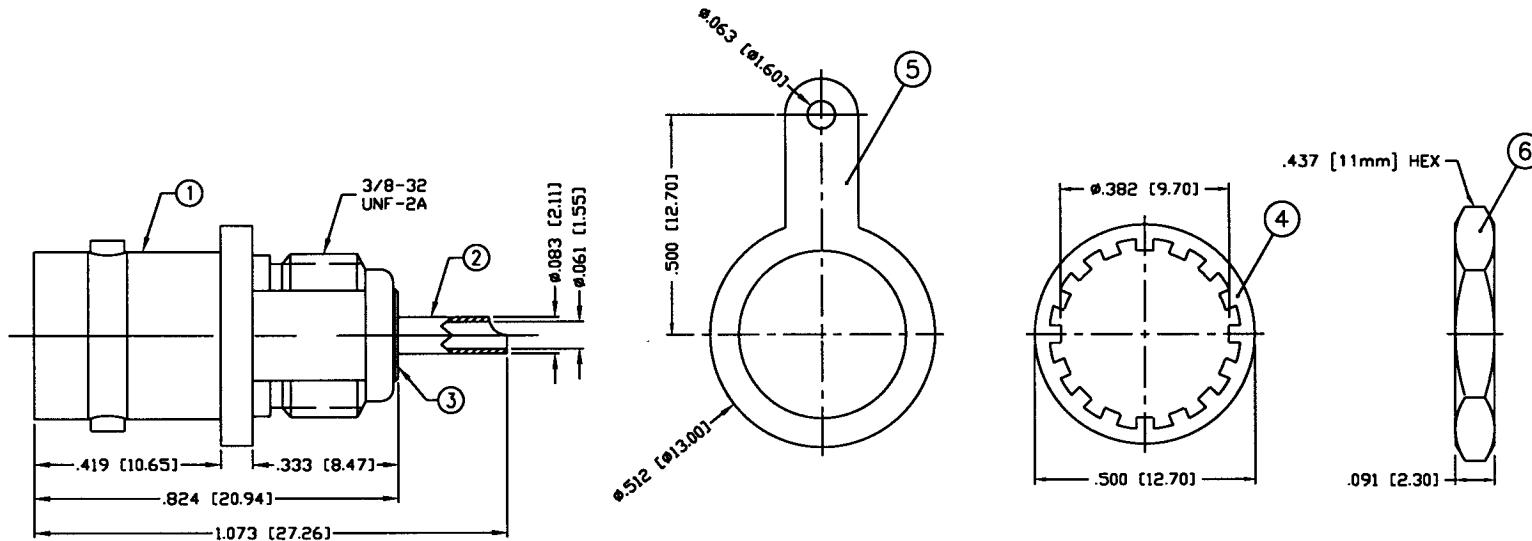
THIS DRAWING CONTAINS INFORMATION PROPRIETARY TO RF INDUSTRIES.
 ANY UNAUTHORIZED USE OF THIS DRAWING IS EXPRESSLY PROHIBITED
 WITHOUT WRITTEN PERMISSION FROM RF INDUSTRIES.
 ANY VIOLATION IS PUNISHABLE UNDER U.S. COPYRIGHT LAWS.

ALL DIMENSIONS ARE REFERENCE ONLY

PART NO.

RFB-1116-SG

REV	DESCRIPTION	DWN	DATE	APPROVED
A	ENGINEERING RELEASE	CJ	1/9/96	R. RICE
B	UPDATE DRAWING THROUGHOUT	CZS	1/20/00	JDMc
C	CHANGE FORMAT, SPECS & DWG # FROM 7366	GGG	2/28/02	JDMc



MAX. PANEL THICKNESS .110

RECOMMENDED
PANEL CUTOUT

SPECIFICATIONS:

IMPEDANCE: 50 Ohms
 FREQUENCY RANGE: 0-4 GHz
 WORKING VOLTAGE: 500 V rms @ sea level
 TEMPERATURE RANGE: -65°C TO 165°C
 INSULATION RESISTANCE: 5k M Ohms min.

1	BODY	1	BRASS	SILVER, 30 μ "
2	CONTACT	1	BRASS	GOLD, 3 μ "
3	DIELECTRIC	1	PTFE	---
4	LOCK WASHER	1	BRASS	SILVER, 30 μ "
5	SOLDER LUG	1	BRASS	SILVER, 30 μ "
6	HEX NUT	1	BRASS	SILVER, 30 μ "
7				
8				
9				
10				
11				
12				
13				
14				
#	DESCRIPTION	QTY	MATRL	FINISH

000486	
DRAWN	G. GALLEGOS
CHECKED	<i>[Signature]</i> 2/28/02
ORJ DRAWN	C. JONES
	1/13/92
APPROVALS	DATE

UNLESS OTHERWISE SPECIFIED:

- REMOVE ALL BURRS
- BREAK ALL CORNERS & EDGES .005 R. MAX.
- CHAMFER 1ST & LAST THREADS 45°
- SURFACE ROUGHNESS 63 FINISH MIL-STD-10
- DIAMETERS ON COMMON CENTERS TO BE CONCENTRIC WITHIN .002 T.I.R.
- ALL DIMENSIONS ARE AFTER PLATING.

DIMENSIONS ARE IN INCHES AND [MILLIMETERS]
 UNLESS OTHERWISE NOTED TOLERANCES ARE:

DECIMALS	DIAMETER
.xxx±.003 [.08]	.xxx±.001 [.03]
.xx±.005 [.13]	.xx±.003 [.08]

RFconnectors
 DIVISION OF RF INDUSTRIES, LTD.

7610 MIRAMAR RD
 SAN DIEGO, CA 92126
 (858) 549-6340
 (858) 549-6345 FAX

BNC JACK RECEPTACLE

BULKHEAD, FRONT MOUNT \ UG1094/U

SIZE	CABLE GROUP	DWG NO.	REV
A	N/A	RFB-1116-SG	C
SCALE: NTS		CAD FILE OUTLINE	SHEET 1 OF 1