

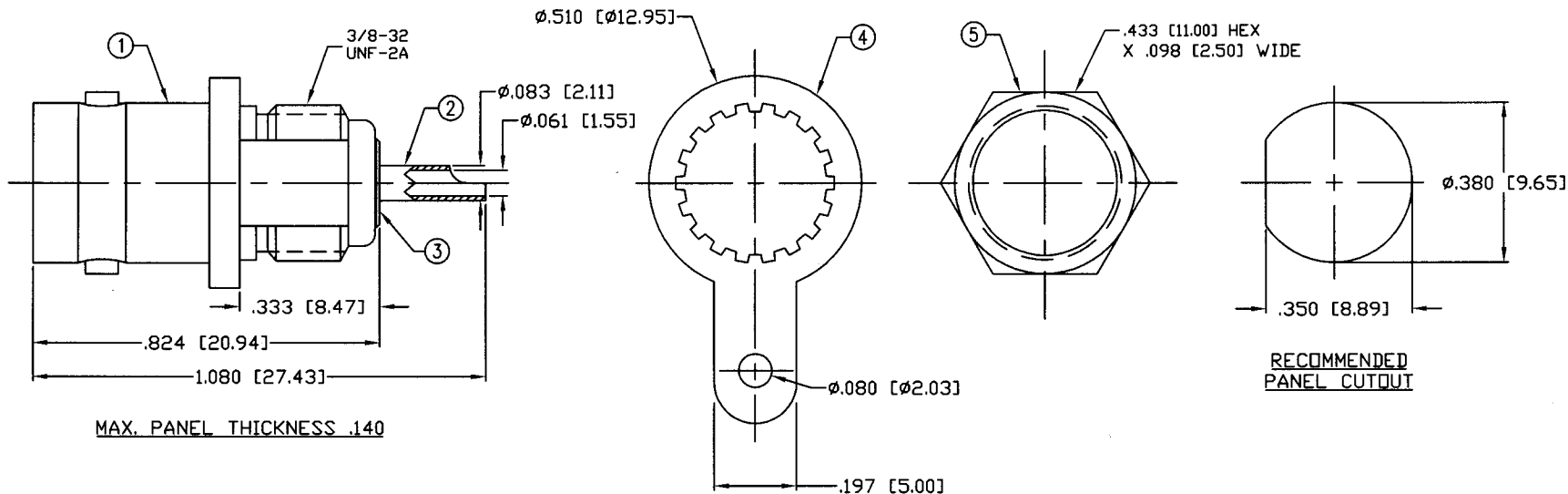
THIS DRAWING CONTAINS INFORMATION PROPRIETARY TO RF INDUSTRIES,
 ANY UNAUTHORIZED USE OF THIS DRAWING IS EXPRESSLY PROHIBITED
 WITHOUT WRITTEN PERMISSION FROM RF INDUSTRIES.
 ANY VIOLATION IS PUNISHABLE UNDER U.S. COPYRIGHT LAWS.

ALL DIMENSIONS ARE REFERENCE ONLY

PART NO.

RFB-1116-NG

REV	DESCRIPTION	DWN	DATE	APPROVED
B	STANDARDIZE / CHANGE CONTACT ID & SOLDER CUP ID	DF	5/11/94	F. VIERA
C	MAKE 1 PC DIE/ADD BARBS TO CONTACT/REMOVE PRESS FIT WASHER	KMM	3/7/96	R. RICE
D	CHG D FLAT DIM & AREA AT FLANGE / ADD KNURL TO CONTACT	CZS	7/20/98	R. RICE
E	CHANGE DWG FORMAT, SPECS , DWG # WAS 7378	GGG	3/1/02	JDMc



SPECIFICATIONS:

IMPEDANCE: 50 Ohms
 FREQUENCY RANGE: 0-4 GHz
 WORKING VOLTAGE: 500 V rms @ sea level
 TEMPERATURE RANGE: -65°C TO 165°C
 INSULATION RESISTANCE: 5k M Ohms min.

1	BODY	1	BRASS	NICKEL, 30μ"
2	PIN	1	BRASS	GOLD, 3μ"
3	DIELECTRIC	1	PTFE	----
4	LOCK WASHER	1	BRASS	NICKEL, 30μ"
5	HEX NUT	1	BRASS	NICKEL, 30μ"
6				
7				
8				
9				
10				
11				
12				
13				
14				
#	DESCRIPTION	QTY	MATRL	FINISH

000486	
DRAWN	JDM
CHECKED	<i>[Signature]</i>
ORJ DRAWN	D. FRIAS
APPROVALS	DATE
	4/18/02
	2/27/88

UNLESS OTHERWISE SPECIFIED:

- REMOVE ALL BURRS
- BREAK ALL CORNERS & EDGES .005 R. MAX.
- CHAMFER 1ST & LAST THREADS 45°
- SURFACE ROUGHNESS 63 FINISH MIL-STD-10
- DIAMETERS ON COMMON CENTERS TO BE CONCENTRIC WITHIN .002 T.I.R.
- ALL DIMENSIONS ARE AFTER PLATING.

DIMENSIONS ARE IN INCHES AND [MILLIMETERS]
 UNLESS OTHERWISE NOTED TOLERANCES ARE:

DECIMALS	DIAMETER
.xxx±.003 [.08]	.xxx±.001 [.03]
.xx±.005 [.13]	.xx±.003 [.08]

RF connectors
 DIVISION OF RF INDUSTRIES, LTD.

7610 MIRAMAR RD
 SAN DIEGO, CA 92126
 (858) 549-6340
 (858) 549-6345 FAX

BNC JACK, RECEPTACLE
 BULKHEAD, FRONT MOUNT

SIZE	CABLE GROUP	DWG NO.	REV
A	N/A	RFB-1116-NG	E
SCALE: NTS		CAD FILE OUTLINE	SHEET 1 OF 1