

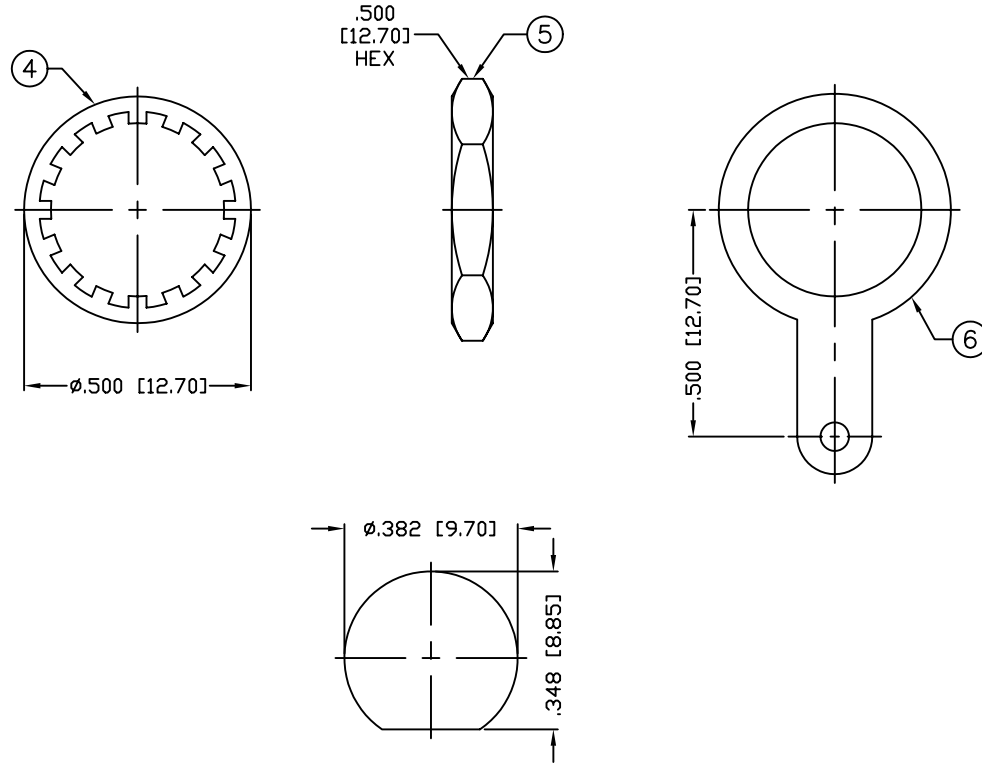
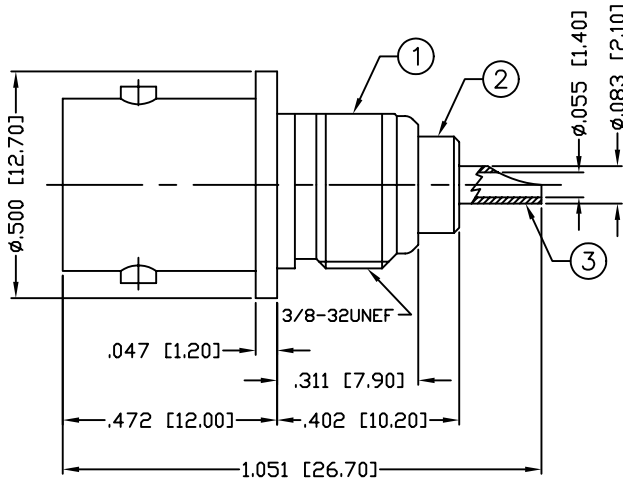
THIS DRAWING CONTAINS INFORMATION PROPRIETARY TO RF INDUSTRIES.
 ANY UNAUTHORIZED USE OF THIS DRAWING IS EXPRESSLY PROHIBITED
 WITHOUT WRITTEN PERMISSION FROM RF INDUSTRIES.
 ANY VIOLATION IS PUNISHABLE UNDER U.S. COPYRIGHT LAWS.

ALL DIMENSIONS ARE REFERENCE ONLY

PART NO.

RFB-1116-11

| REV | DESCRIPTION | DWN | DATE | APPROVED |
|-----|---------------------------------------|-----|---------|----------|
| A | ENGINEERING RELEASE | CZS | 12/2/98 | R. RICE |
| B | CHANGE TOLERANCES | CZS | 1/25/99 | R. RICE |
| C | ADD SPOTFACE NOTE AND INTERNAL DETAIL | KMM | 8/5/99 | R. RICE |
| D | CHANGE TO TWO PIECE LOCK WASHER | CZS | 1/8/99 | JDMc |



RECOMMENDED MOUNTING HOLE

SPECIFICATIONS:

IMPEDANCE: 50 Ohms
 FREQUENCY RANGE: 0-4 GHz
 VSWR: 1.3 Max.
 WORKING VOLTAGE: 500 V rms @ sea level
 TEMPERATURE RANGE: -65°C TO 165°C
 INSULATION RESISTANCE: 5k M Ohms min.

| | | | | | | |
|----|-------------|-----|----------|---------------------|-----------|------|
| 1 | BODY | 1 | BRASS | NICKEL, 100 μ " | 008974 | |
| 2 | INSULATOR | 1 | PTFE | --- | | |
| 3 | CONTACT | 1 | Be.Cu. | GOLD, 3 μ " | | |
| 4 | LOCK WASHER | 1 | BRASS | NICKEL, 100 μ " | | |
| 5 | HEX NUT | 1 | BRASS | NICKEL, 100 μ " | | |
| 6 | SOLDER TAG | 1 | BRASS | NICKEL, 100 μ " | | |
| 7 | | | | | | |
| 8 | | | | | | |
| 9 | | | | | | |
| 10 | | | | | | |
| 11 | | | | | | |
| 12 | | | | | | |
| 13 | | | | | | |
| 14 | | | | | | |
| # | DESCRIPTION | QTY | MATERIAL | FINISH | APPROVALS | DATE |

DRAWN
C. ZUNIGA
6/26/06
 CHECKED
 ORJ DRAWN
C. ZUNIGA
12/2/98

**RoHS
COMPLIANT**

DIMENSIONS ARE IN INCHES
 AND [MILLIMETERS]
 UNLESS OTHERWISE NOTED
 TOLERANCES ARE:
 DECIMALS DIAMETER

RF connectors
 DIVISION OF RF INDUSTRIES, LTD.

7610 MIRAMAR RD
 SAN DIEGO, CA 92126
 (858) 549-6340
 (858) 549-6345 FAX

BNC JACK, SOLDER

BULKHEAD

| SIZE | CABLE GROUP | DWG NO. | REV |
|------------|-------------|------------------|--------------|
| A | N/A | RFB-1116-11 | D |
| SCALE: NTS | | CAD FILE OUTLINE | SHEET 1 OF 1 |