

ENVELOPE / ASSEMBLY DRAWING

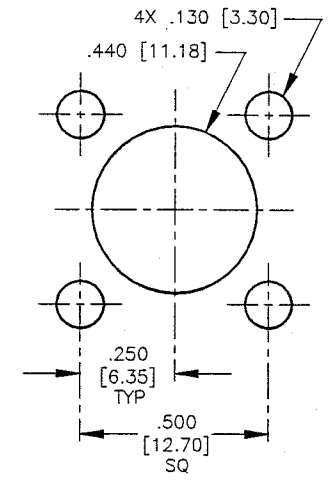
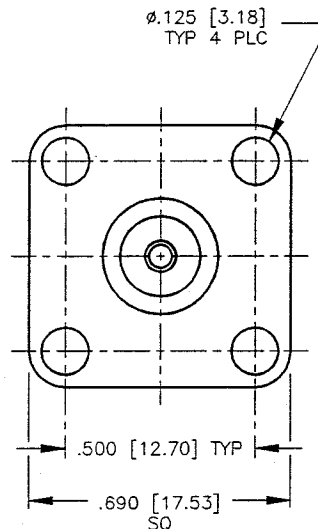
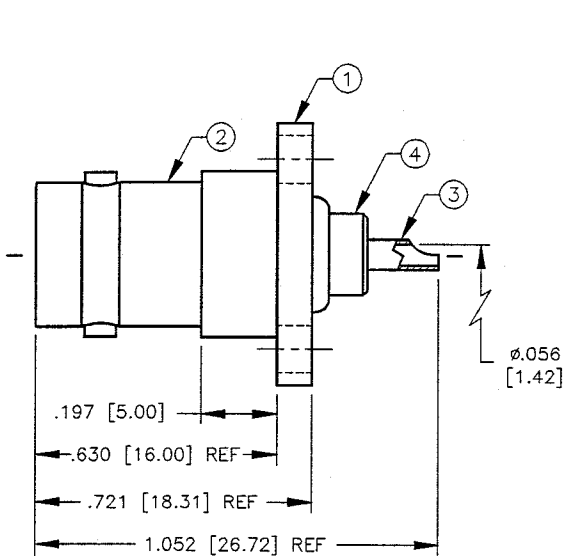
008974

SPECIFICATION CONTROL DRAWING

THIS DRAWING CONTAINS INFORMATION PROPRIETARY TO RF INDUSTRIES, LTD. ANY UNAUTHORIZED USE OF THIS DRAWING IS EXPRESSLY PROHIBITED. ANY VIOLATION IS PUNISHABLE UNDER U.S. COPYRIGHT LAWS.

REV	DESCRIPTION	DWN	DATE	APPROVED
A	ENGINEERING RELEASE	CZS	8/13/99	R. RICE

ALL DIMENSIONS ARE REFERENCE ONLY



MOUNTING CONFIGURATION

SPECIFICATIONS:

IMPEDANCE: 50 OHMS
 WORKING VOLTAGE: 500 VRMS @ SEA LEVEL
 FREQUENCY RANGE: 0-4 GHz
 INTERFACE PER MIL-STD-348, SECTION 301.2

DIMENSIONS ARE IN INCHES AND [MILLIMETERS]

UNLESS OTHERWISE NOTED TOLERANCES ARE:
 DECIMALS DIAMETER



7610 MIRAMAR RD.
 SAN DIEGO, CA 92126
 (858) 549-6340
 (858) 549-6345 FAX

RFB-1115-S

BNC FEMALE 4 HOLE FLANGE

ITEM	DESCRIPTION	QTY	MATERIAL	FINISH	APPROVALS	DATE
4	DIELECTRIC	1	TEFLON	NONE	DRAWN C. ZUNIGA	8/13/99
3	CONTACT	1	PHOS BRONZE	GOLD	CHECKED <i>C. Zuniga</i>	8/16/99
2	PRESS-FIT BODY	1	BRASS	SILVER	OP'D DRAWN C. ZUNIGA	8/13/99
1	BODY	1	BRASS	SILVER		

SIZE A	CABLE GROUP N/A	DWG NO. 9229	REV A
SCALE: 2:1		CAD FILE 13ARC B	SHEET 1 OF 1