

ENVELOPE / ASSEMBLY DRAWING

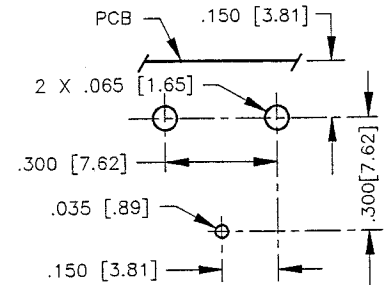
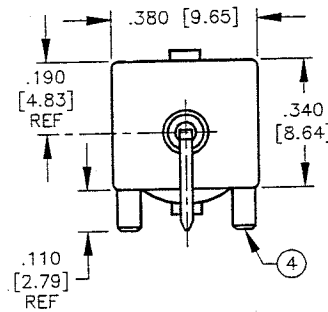
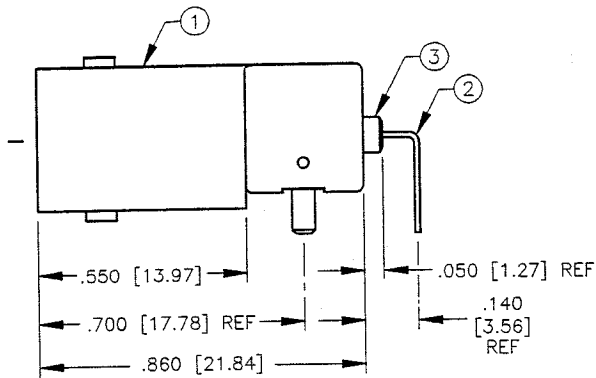
000360

SPECIFICATION CONTROL DRAWING

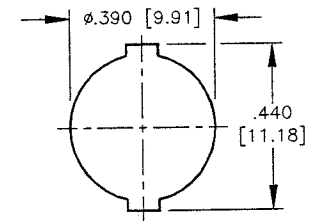
THIS DRAWING CONTAINS INFORMATION PROPRIETARY TO RF INDUSTRIES, LTD. ANY UNAUTHORIZED USE OF THIS DRAWING IS EXPRESSLY PROHIBITED. ANY VIOLATION IS PUNISHABLE UNDER U.S. COPYRIGHT LAWS.

REV	DESCRIPTION	DWN	DATE	APPROVED
A	ENGINEERING RELEASE	KMM	9/6/94	-----
B	CREATE ENVELOPE DWG / CON NOW PHOS BRONZE	CZS	8/18/99	R. RICE

ALL DIMENSIONS ARE REFERENCE ONLY



SUGGESTED MOUNTING CONFIGURATION



SUGGESTED PANEL CUTOUT

SPECIFICATIONS:

IMPEDANCE: 50 OHMS
 WORKING VOLTAGE: 500 VRMS @ SEA LEVEL
 FREQUENCY RANGE: 0-4 GHz
 INTERFACE PER MIL-STD-348, SECTION 301.2

DIMENSIONS ARE IN INCHES AND [MILLIMETERS]

UNLESS OTHERWISE NOTED TOLERANCES ARE:
 DECIMALS DIAMETER

RF connectors
 DIVISION OF RF INDUSTRIES, LTD.

7610 MIRAMAR RD
 SAN DIEGO, CA 92126
 (858) 549-6340
 (858) 549-6345 FAX

RFB-1115-5

BNC FEMALE R/A, PCB MOUNT, SHORT

ITEM	DESCRIPTION	QTY	MATERIAL	FINISH
4	MOUNTING POST	2	BRASS	TIN
3	DIELECTRIC	1	POLYPROPYLENE	NONE
2	CONTACT	1	PHOS BRONZE	GOLD
1	BODY	1	ZINC DIECAST	NICKEL

DRAWN	C. ZUNIGA	8/18/99
CHECKED	<i>[Signature]</i>	8/24/99
OR DRAWN	K. MAXWELL	9/6/94
APPROVALS		DATE

SIZE	CABLE GROUP	DWG NO.	REV
A	N/A	9232	B
SCALE:	2:1	CAD FILE	13ARC B
			SHEET 1 OF 1