

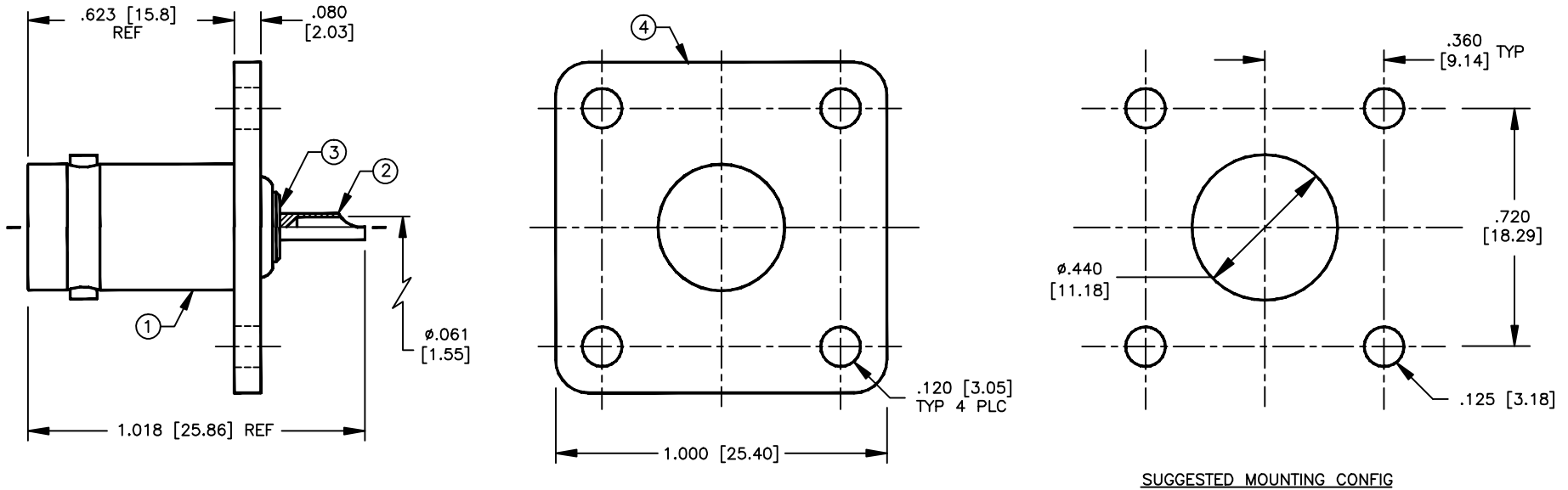
# SPECIFICATION CONTROL DRAWING

THIS DRAWING CONTAINS INFORMATION PROPRIETARY TO RF INDUSTRIES, LTD. ANY UNAUTHORIZED USE OF THIS DRAWING IS EXPRESSLY PROHIBITED. ANY VIOLATION IS PUNISHABLE UNDER U.S. COPYRIGHT LAWS.

REV	DESCRIPTION	DWN	DATE	APPROVED
A	ENGINEERING RELEASE	KMM	2/28/95	R. RICE
B	MAKE PRESS FIT BODY, CHG DIE, REMOVE PRESS FIT WASH	BMA	3/4/97	R. RICE
C	ADD BARBS & STRAIGHT KNURL TO CONTACT	BMA	3/20/97	R. RICE
D	CHG P/N, WAS RFX-3107 / CHG DIST & THICK OF FLANGE	CZS	4/24/98	R. RICE

000000

ALL DIMENSIONS ARE REFERENCE ONLY



## SPECIFICATIONS:

IMPEDANCE: 50 OHMS  
 WORKING VOLTAGE: 500 VRMS @ SEA LEVEL  
 FREQUENCY RANGE: 0-4 GHz  
 INTERFACE PER MIL-STD-348A, SECTION 301.2

DIMENSIONS ARE IN INCHES AND [MILLIMETERS]

UNLESS OTHERWISE NOTED TOLERANCES ARE:

DECIMALS DIAMETER

**RF connectors**  
 DIVISION OF RF INDUSTRIES, LTD.

7610 MIRAMAR RD  
 SAN DIEGO, CA 92126  
 (619)549-6340  
 (619)549-6345 FAX

## RFB-1115-14

BNC FEMALE 4 HOLE FLANGE

ITEM	DESCRIPTION	QTY	MATERIAL	FINISH	APPROVALS	DATE
4	FLANGE	1	BRASS	SILVER		
3	DIELECTRIC	1	PTFE	NONE		
2	CONTACT	1	BRASS	GOLD		
1	BODY	1	BRASS	SILVER		

DRAWN	C. ZUNIGA	5/7/98
CHECKED		
ORJ DRAWN	K. MAXWELL	2/28/95
APPROVALS		

SIZE	CABLE GROUP	DWG NO.	REV
A	N/A	8443	D
SCALE:	2:1	CAD FILE	13ARC B
			SHEET 1 OF 1