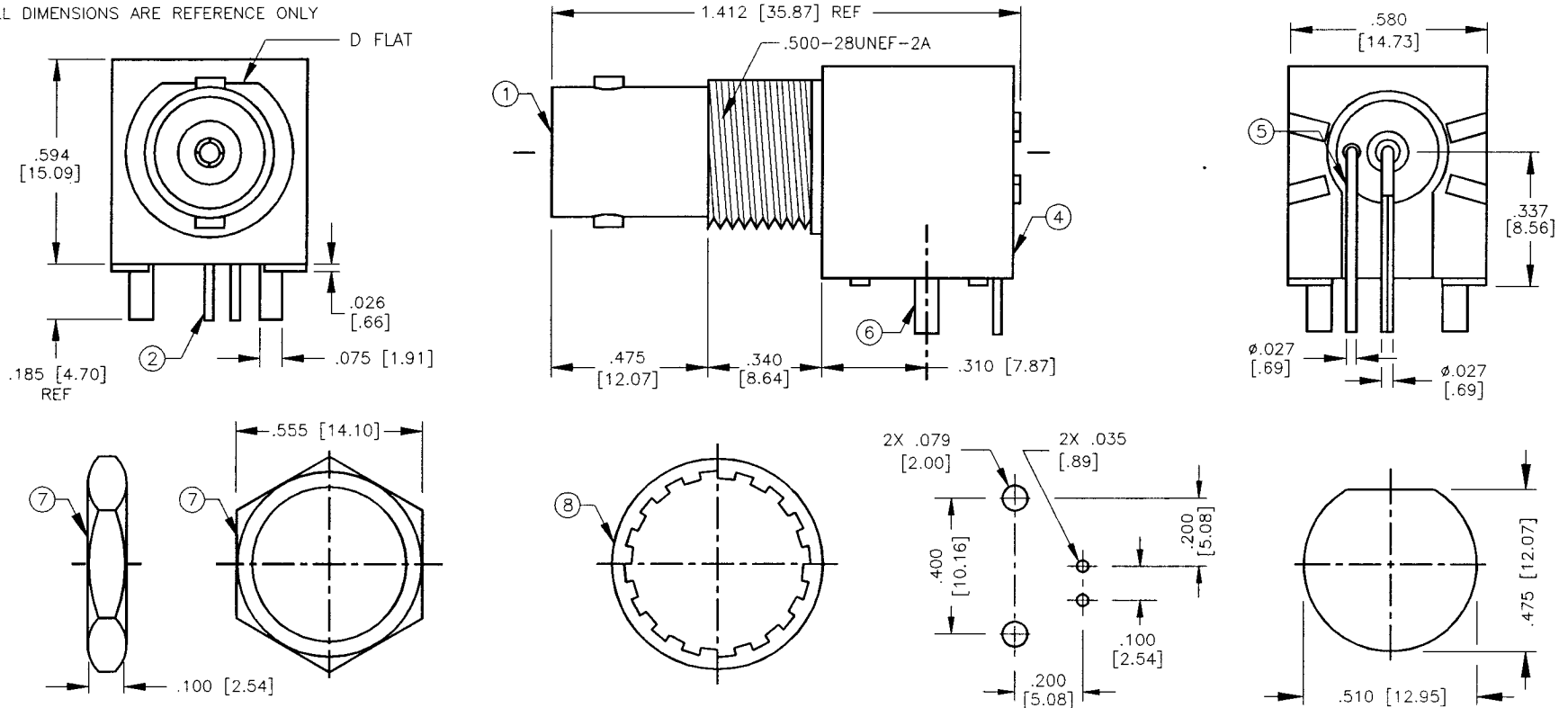


ENVELOPE / ASSEMBLY DRAWING

000360

SPECIFICATION CONTROL DRAWING		REV	DESCRIPTION	DWN	DATE	APPROVED
		A	ENGINEERING RELEASE	CZS	7/10/97	R. RICE
THIS DRAWING CONTAINS INFORMATION PROPRIETARY TO RF INDUSTRIES, LTD. ANY UNAUTHORIZED USE OF THIS DRAWING IS EXPRESSLY PROHIBITED. ANY VIOLATION IS PUNISHABLE UNDER U.S. COPYRIGHT LAWS.		B	CREATE ENVELOPE DRAWING	CZS	10/14/97	P. COLCHIN

ALL DIMENSIONS ARE REFERENCE ONLY



SPECIFICATIONS:

IMPEDANCE: 50 OHMS
 WORKING VOLTAGE: 500 VRMS @ SEA LEVEL
 FREQUENCY RANGE: 0-1 GHz
 * CONTACT GOLD PLATING AT BNC END - TIN/LEAD PLATING AT CIRCUIT BOARD END

DIMENSIONS ARE IN INCHES AND [MILLIMETERS]

UNLESS OTHERWISE NOTED TOLERANCES ARE:

DECIMALS DIAMETER

DRAWN	C. ZUNIGA	10/14/97
CHECKED	<i>Paulk</i>	10/14/97
ORJ DRAWN	C. ZUNIGA	7/10/97

RF connectors
 DIVISION OF RF INDUSTRIES, LTD.

7610 MIRAMAR RD
 SAN DIEGO, CA 92126
 (619)549-6340
 (619)549-6345 FAX

RFB-1113-W

BNC FEMALE R/A PCB MOUNT

SIZE	CABLE GROUP	DWG NO.	REV
A	N/A	8723	B

ITEM	DESCRIPTION	QTY	MATERIAL	FINISH
8	LOCK WASHER [LKW-505]	1	PHOS BRONZE	NICKEL
7	NUT [HEX-500]	1	BRASS	NICKEL
6	MOUNTING POSTS	2	BRASS	NICKEL
5	GROUNDING TERMINAL	1	COPPER	TIN
4	HOUSING	1	PBT	WHITE
3	DIELECTRIC	1	POLYPROPYLENE	NONE
2	CONTACT	1	BRASS	*
1	BODY	1	ZINC	NICKEL

APPROVALS	DATE	SCALE: 2:1	CAD FILE 13ARC B	SHEET 1 OF 1
-----------	------	------------	------------------	--------------