

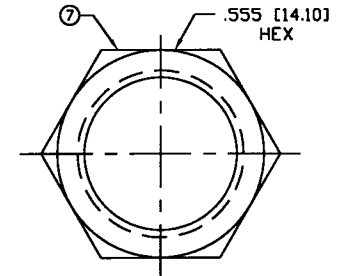
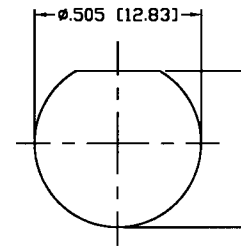
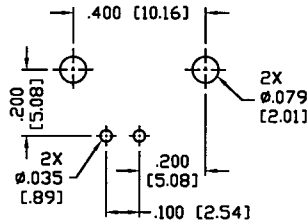
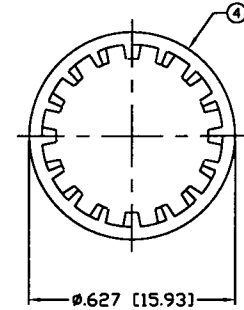
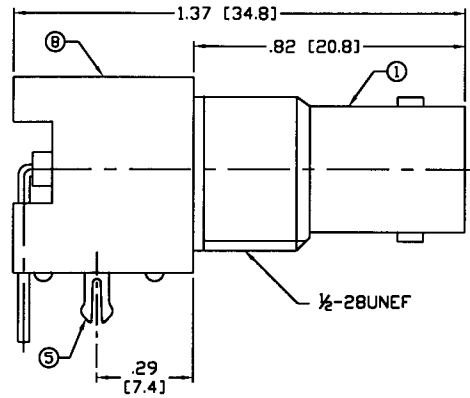
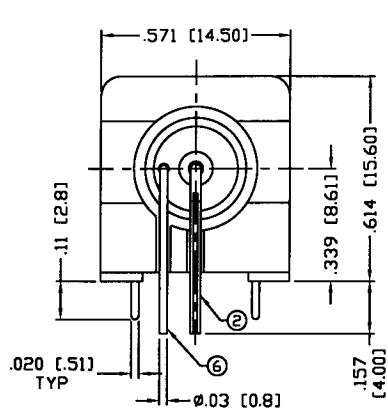
THIS DRAWING CONTAINS INFORMATION PROPRIETARY TO RF INDUSTRIES.
 ANY UNAUTHORIZED USE OF THIS DRAWING IS EXPRESSLY PROHIBITED
 WITHOUT WRITTEN PERMISSION FROM RF INDUSTRIES.
 ANY VIOLATION IS PUNISHABLE UNDER U.S. COPYRIGHT LAWS.

ALL DIMENSIONS ARE REFERENCE ONLY

PART NO.

RFB-1113-W-03

REV	DESCRIPTION	DWN	DATE	APPROVED
-	ENGINEERING RELEASE	CZS	11/12/02	JDMc



SPECIFICATIONS:

IMPEDANCE: 50 Ohms
 FREQUENCY RANGE: 0-2 GHz
 WORKING VOLTAGE: 500 V rms @ sea level
 TEMPERATURE RANGE: -55°C TO 85°C

RECOMMENDED MOUNTING CONFIGURATION

RECOMMENDED PANEL CUTOUT

1	BNC BODY	1	DIECAST	NICKEL, 100μ"	000360
2	CONTACT	1	BRASS	GOLD/TIN	
3	INSULATOR	1	POLYPROPYLENE	---	
4	LOCK WASHER	1	PHOS BRONZE	NICKEL, 100μ"	
5	SNAP LEGS	2	BRASS	TIN	
6	GROUND PIN	1	COPPER	TIN	
7	HEX NUT	1	BRASS	NICKEL, 100μ"	
8	BODY	1	PBT	WHITE	
9					
10					
11					
12					
13					
14					

DRAWN	C. ZUNIGA	11/12/02
CHECKED	<i>[Signature]</i>	11/12/02
ORJ DRAWN	C. ZUNIGA	11/12/02

UNLESS OTHERWISE SPECIFIED:
 1. REMOVE ALL BURRS
 2. BREAK ALL CORNERS & EDGES .005 R. MAX.
 3. CHAMFER 1ST & LAST THREADS 45°
 4. SURFACE ROUGHNESS 63 FINISH MIL-STD-10
 5. DIAMETERS ON COMMON CENTERS TO BE CONCENTRIC WITHIN .002 T.I.R.
 6. ALL DIMENSIONS ARE AFTER PLATING.

DIMENSIONS ARE IN INCHES AND [MILLIMETERS]
 UNLESS OTHERWISE NOTED TOLERANCES ARE:

DECIMALS	DIAMETER
.xxx±.003 [.08]	.xxx±.001 [.03]
.xx±.005 [.13]	.xx±.003 [.08]

RF connectors
 DIVISION OF RF INDUSTRIES, LTD.
 7610 MIRAMAR RD
 SAN DIEGO, CA 92126
 (858) 549-6340
 (858) 549-6345 FAX

BNC JACK

RIGHT ANGLE, PCB MOUNT, SNAP LEGS, HIGH PROFILE

SIZE	CABLE GROUP	DWG NO.	REV
A	N/A	RFB-1113-W-03	-

SCALE: NTS	CAD FILE OUTLINE	SHEET 1 OF 1
------------	------------------	--------------