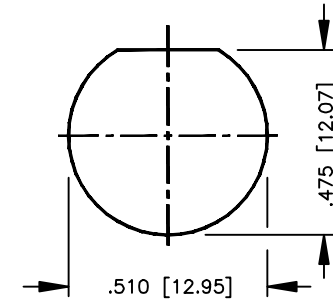
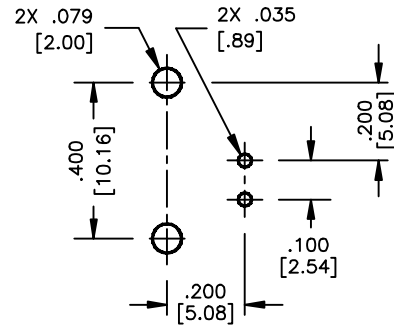
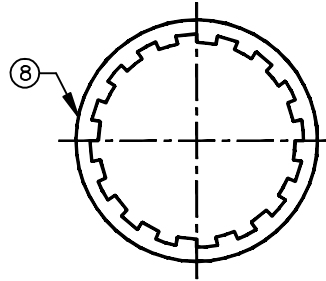
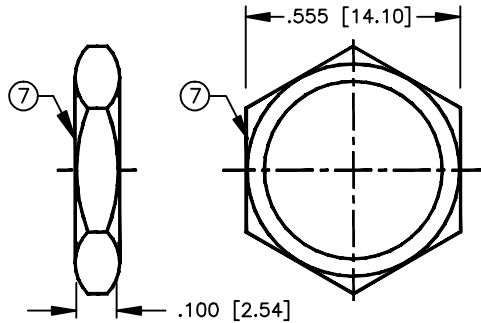
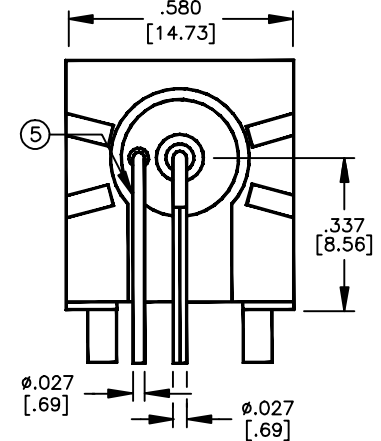
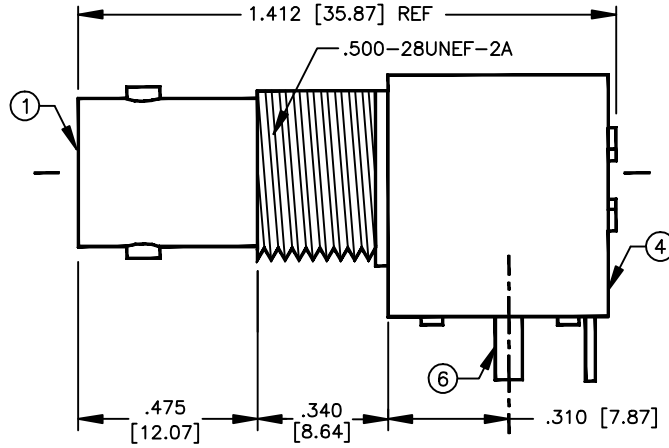
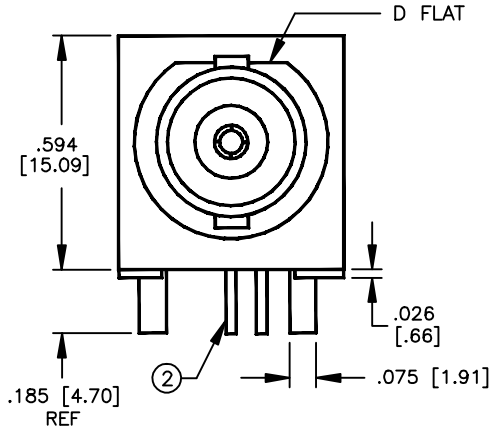


SPECIFICATION CONTROL DRAWING

THIS DRAWING CONTAINS INFORMATION PROPRIETARY TO RF INDUSTRIES, LTD. ANY UNAUTHORIZED USE OF THIS DRAWING IS EXPRESSLY PROHIBITED. ANY VIOLATION IS PUNISHABLE UNDER U.S. COPYRIGHT LAWS.

REV	DESCRIPTION	DWN	DATE	APPROVED
A	ENGINEERING RELEASE	CZS	7/10/97	R. RICE
B	CREATE ENVELOPE DRAWING	CZS	10/13/97	P. COLCHIN

ALL DIMENSIONS ARE REFERENCE ONLY



SPECIFICATIONS:

IMPEDANCE: 50 OHMS
 WORKING VOLTAGE: 500 VRMS @ SEA LEVEL
 FREQUENCY RANGE: 0-1 GHz
 * CONTACT GOLD PLATING AT BNC END - TIN/LEAD PLATING AT CIRCUIT BOARD END

SUGGESTED MOUNTING CONFIGURATION

ITEM	DESCRIPTION	QTY	MATERIAL	FINISH
8	LOCK WASHER [LKW-505]	1	PHOS BRONZE	NICKEL
7	NUT [HEX-500]	1	BRASS	NICKEL
6	MOUNTING POSTS	2	BRASS	NICKEL
5	GROUNDING TERMINAL	1	COPPER	TIN
4	HOUSING	1	PBT	BLACK
3	DIELECTRIC	1	POLYPROPYLENE	NONE
2	CONTACT	1	BRASS	*
1	BODY	1	ZINC	NICKEL

DIMENSIONS ARE IN INCHES AND [MILLIMETERS]

UNLESS OTHERWISE NOTED TOLERANCES ARE:

DECIMALS DIAMETER

DRAWN C. ZUNIGA 10/13/97

CHECKED

ORJ DRAWN C. ZUNIGA 7/10/97

APPROVALS DATE

RFconnectors
 DIVISION OF RF INDUSTRIES, LTD.

7610 MIRAMAR RD
 SAN DIEGO, CA 92126
 (619)549-6340
 (619)549-6345 FAX

RFB-1113-B

BNC FEMALE R/A PCB MOUNT

SIZE	CABLE GROUP	DWG NO.	REV
A	N/A	8724	B
SCALE: 2:1		CAD FILE 13ARC B	SHEET 1 OF 1