

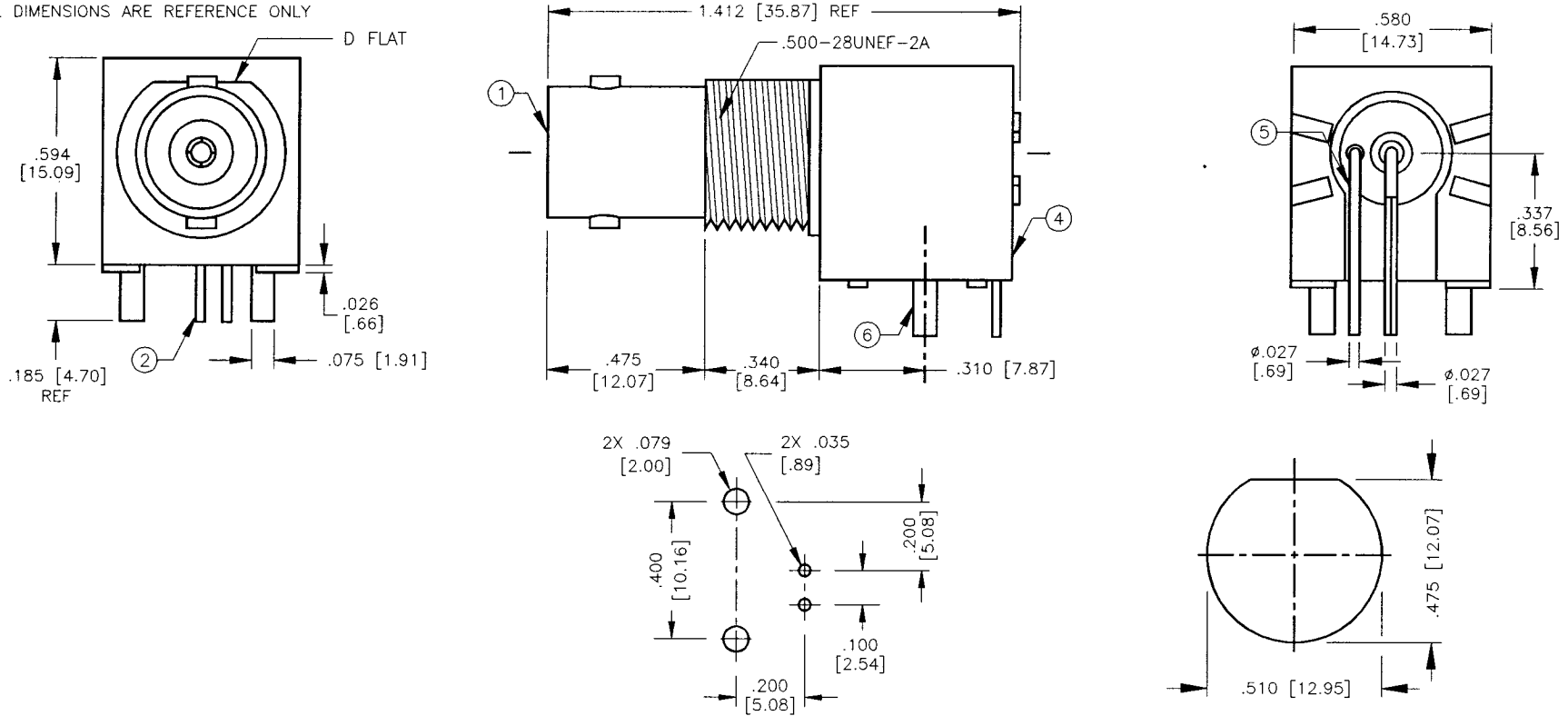
ENVELOPE / ASSEMBLY DRAWING

000360

SPECIFICATION CONTROL DRAWING	REV	DESCRIPTION	DWN	DATE	APPROVED
	A	ENGINEERING RELEASE	CZS	10/14/97	P. COLCHIN

THIS DRAWING CONTAINS INFORMATION PROPRIETARY TO RF INDUSTRIES, LTD. ANY UNAUTHORIZED USE OF THIS DRAWING IS EXPRESSLY PROHIBITED. ANY VIOLATION IS PUNISHABLE UNDER U.S. COPYRIGHT LAWS.

ALL DIMENSIONS ARE REFERENCE ONLY



SUGGESTED MOUNTING CONFIGURATION

SPECIFICATIONS:

IMPEDANCE: 50 OHMS
 WORKING VOLTAGE: 500 VRMS @ SEA LEVEL
 FREQUENCY RANGE: 0-1 GHz
 * CONTACT GOLD PLATING AT BNC END - TIN/LEAD PLATING AT CIRCUIT BOARD END

DIMENSIONS ARE IN INCHES AND [MILLIMETERS]
 UNLESS OTHERWISE NOTED TOLERANCES ARE:

DECIMALS DIAMETER

RF connectors
 DIVISION OF RF INDUSTRIES, LTD.

7610 MIRAMAR RD
 SAN DIEGO, CA 92126
 (619)549-6340
 (619)549-6345 FAX

RFB-1113-B-04

BNC FEMALE R/A PCB MOUNT, NO HARDWARE

DRAWN	C. ZUNIGA	10/14/97
CHECKED	<i>Rosnik</i>	10/14/97
ORJ DRAWN	C. ZUNIGA	10/14/97

SIZE	CABLE GROUP	DWG NO.	REV
A	N/A	8776	A

6	MOUNTING POSTS	2	BRASS	NICKEL
5	GROUNDING TERMINAL	1	COPPER	TIN
4	HOUSING	1	PBT	BLACK
3	DIELECTRIC	1	POLYPROPYLENE	NONE
2	CONTACT	1	BRASS	*
1	BODY	1	ZINC	NICKEL

ITEM	DESCRIPTION	QTY	MATERIAL	FINISH	APPROVALS	DATE	SCALE: 2:1	CAD FILE 13ARC B	SHEET 1 OF 1
------	-------------	-----	----------	--------	-----------	------	------------	------------------	--------------