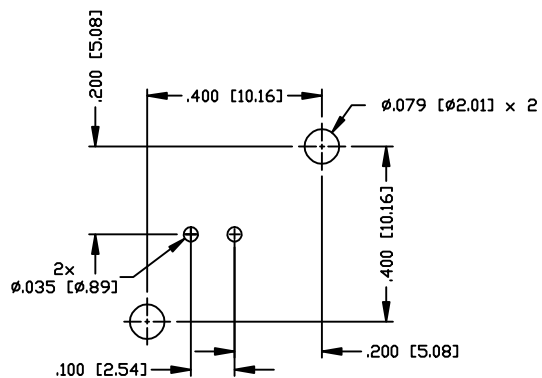
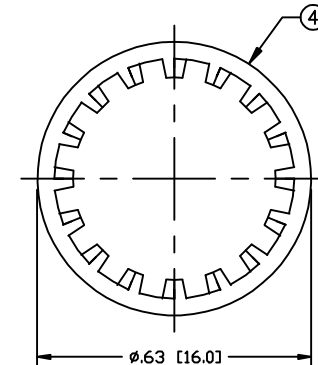
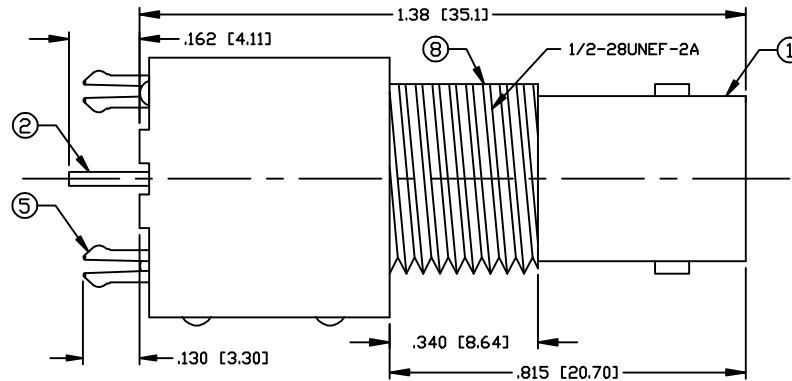
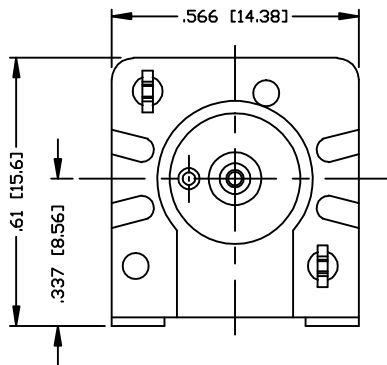


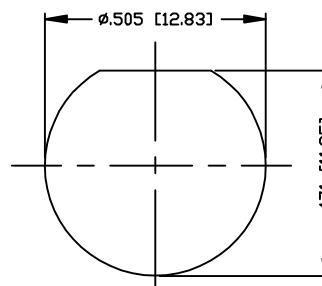
PART NO.

RFB-1113-1W-03

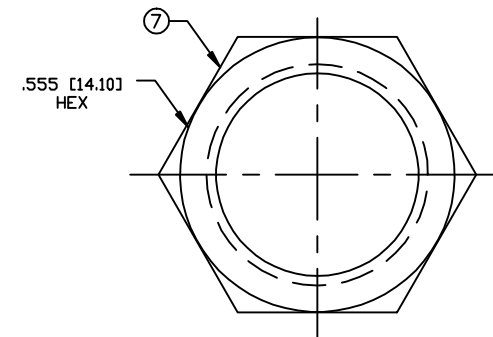
REV	DESCRIPTION	DWN	DATE	APPROVED
-	ENGINEERING RELEASE	CZS	10/11/11	JDMc



PCB HOLE CONFIGURATION



RECOMMENDED PANEL CUTOUT

**SPECIFICATIONS:**

IMPEDANCE: 50 Ohms
 FREQUENCY RANGE: 0-1 GHz
 WORKING VOLTAGE: 500 V rms @ sea level
 TEMPERATURE RANGE: -55°C TO 85°C

#	DESCRIPTION	QTY	MATERIAL	FINISH
1	BNC BODY	1	DIECAST	NICKEL, 100 μ "
2	CONTACT	1	BRASS	GOLD/TIN
3	INSULATOR	1	POLYPROPYLENE	---
4	LOCK WASHER	1	PHOS BRONZE	NICKEL, 100 μ "
5	SNAP LEGS	2	BRASS	TIN
6	GROUND PIN	1	COPPER	TIN
7	HEX NUT	1	BRASS	NICKEL, 100 μ "
8	BODY	1	PBT	WHITE

CUSTOMER
OUTLINE DRAWINGALL DIMENSIONS
ARE REFERENCE ONLYUNLESS OTHERWISE SPECIFIED:
DIMENSIONS ARE IN INCHES
AND [MILLIMETERS]DRAWN
C. ZUNIGA 10/11/11
CHECKEDORJ DRAWN
C. ZUNIGA 10/11/11**RoHS
COMPLIANT**

PROPRIETARY AND CONFIDENTIAL
 THIS DRAWING CONTAINS
 INFORMATION PROPRIETARY TO
 RF INDUSTRIES. ANY
 UNAUTHORIZED USE OF THIS
 DRAWING IS EXPRESSLY
 PROHIBITED WITHOUT WRITTEN
 PERMISSION FROM RF
 INDUSTRIES. ANY VIOLATION IS
 PUNISHABLE UNDER U.S.
 COPYRIGHT LAWS.

RFconnectors7610 MIRAMAR RD.
SAN DIEGO, CA 92126
(858) 549-6340
DIVISION OF RF INDUSTRIES, LTD. (858) 549-6345 FAX**BNC JACK, VERTICAL**
PCB MOUNT, SNAP LEGS RECEPTACLE (WHITE)

SIZE	CABLE GROUP	DWG NO.	REV
A	N/A	RFB-1113-1W-03	---
SCALE:	ENGINEERING ID:	SHEET 1 OF 1	
NTS	000000		