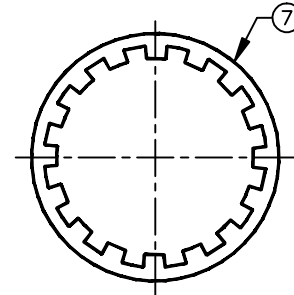
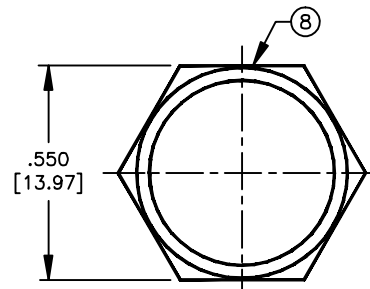
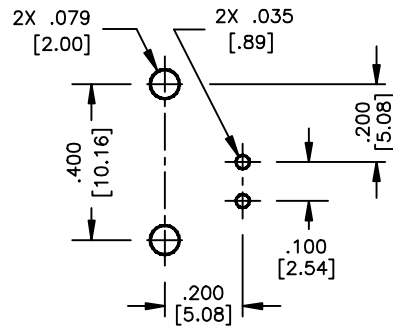
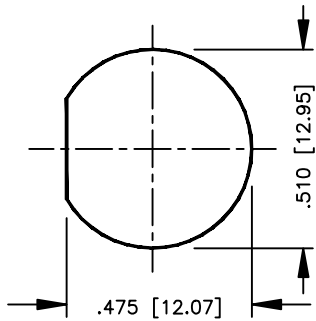
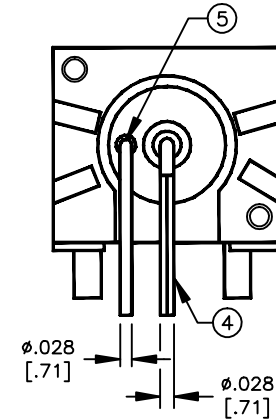
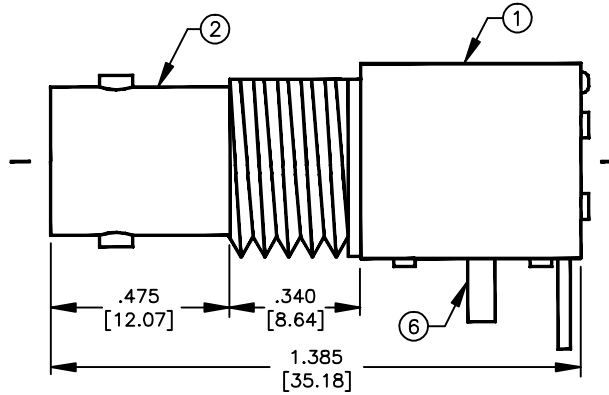
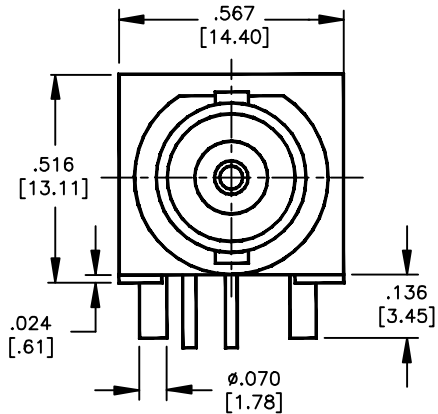


# SPECIFICATION CONTROL DRAWING

THIS DRAWING CONTAINS INFORMATION PROPRIETARY TO RF INDUSTRIES, LTD. ANY UNAUTHORIZED USE OF THIS DRAWING IS EXPRESSLY PROHIBITED. ANY VIOLATION IS PUNISHABLE UNDER U.S. COPYRIGHT LAWS.

REV	DESCRIPTION	DWN	DATE	APPROVED
A	ENGINEERING RELEASE	CZS	11/23/98	R. RICE

ALL DIMENSIONS ARE REFERENCE ONLY



## SPECIFICATIONS:

IMPEDANCE: 50 OHMS  
INTERFACE PER MIL-STD-348A, SECTION 301.2

ITEM	DESCRIPTION	QTY	MATERIAL	FINISH
8	HEX NUT	1	BRASS	NICKEL
7	LOCK WASHER	1	BRASS	NICKEL
6	POST LEG	2	BRASS	NICKEL
5	GROUND LEAD	1	BRASS	SOLDER TIN
4	SOCKET CONTACT	1	BRASS	GOLD
3	DIELECTRIC	1	POLYPROPYLENE	NONE
2	BODY	1	ZINC DIECAST	NICKEL
1	BODY	1	ABS (VALOX)	WHITE

DIMENSIONS ARE IN INCHES AND [MILLIMETERS]

UNLESS OTHERWISE NOTED TOLERANCES ARE:

DECIMALS DIAMETER

DRAWN C. ZUNIGA 11/23/98

CHECKED

ORJ DRAWN C. ZUNIGA 11/23/98

APPROVALS DATE

**RFconnectors**  
DIVISION OF RF INDUSTRIES, LTD.

7610 MIRAMAR RD  
SAN DIEGO, CA 92126  
(619)549-6340  
(619)549-6345 FAX

## RFB-1112-W

BNC FEMALE R/A, LOW PROFILE, PCB MOUNT

SIZE	CABLE GROUP	DWG NO.	REV
A	N/A	8980	A

SCALE: 2:1

CAD FILE 13ARC B

SHEET 1 OF 1