

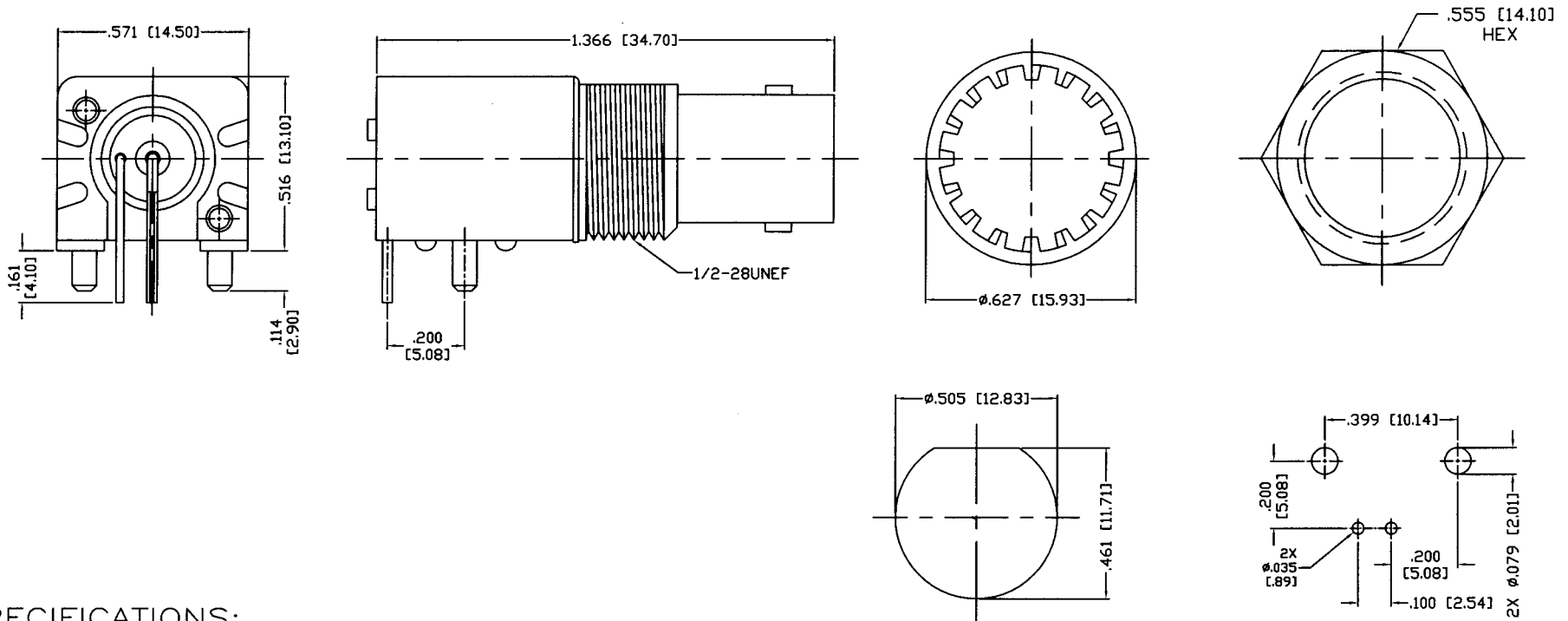
THIS DRAWING CONTAINS INFORMATION PROPRIETARY TO RF INDUSTRIES.
 ANY UNAUTHORIZED USE OF THIS DRAWING IS EXPRESSLY PROHIBITED
 WITHOUT WRITTEN PERMISSION FROM RF INDUSTRIES.
 ANY VIOLATION IS PUNISHABLE UNDER U.S. COPYRIGHT LAWS.

ALL DIMENSIONS ARE REFERENCE ONLY

PART NO.

RFB-1112-B

REV	DESCRIPTION	DWN	DATE	APPROVED
-	ENGINEERING RELEASE	CZS	5/17/04	JDMc



SPECIFICATIONS:

IMPEDANCE: 50 Ohms
 FREQUENCY RANGE: 0-1 GHz
 WORKING VOLTAGE: 500 V rms Max. @ Sea Level
 INSULATION RESISTANCE: 5k M Ohms min.
 TEMPERATURE RANGE: -65°C TO 165°C

RECOMMENDED PANEL CUTOUT

RECOMMENDED PCB LAYOUT

1	BODY	1	DIECAST	NICKEL, 100 μ "	000360	
2	CONTACT	1	PHOS. BRONZE	GOLD / TIN		
3	INSULATOR	1	POLYPROPYLENE	---		
4	BNC BODY	1	PBT	BLACK		
5	MOUNTING POST	1	BRASS	TIN		
6	GROUND PIN	1	COPPER	TIN		
7						
8						
9						
10						
11						
12						
13						
14						
#	DESCRIPTION	QTY	MATERIAL	FINISH	APPROVALS	DATE

UNLESS OTHERWISE SPECIFIED:

DIMENSIONS ARE IN INCHES AND [MILLIMETERS]
 UNLESS OTHERWISE NOTED TOLERANCES ARE:

DECIMALS DIAMETER

RF connectors
 DIVISION OF RF INDUSTRIES, LTD.

7610 MIRAMAR RD
 SAN DIEGO, CA 92126
 (858) 549-6340
 (858) 549-6345 FAX

BNC JACK

RIGHT ANGLE, PCB MOUNT, LOW PROFILE

SIZE	CABLE GROUP	DWG NO.	REV
A	N/A	RFB-1112-B	-
SCALE:	NTS	CAD FILE	OUTLINE
SHEET 1 OF 1			