

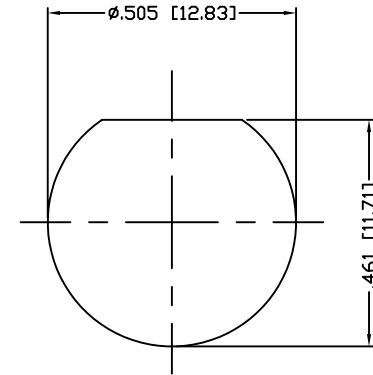
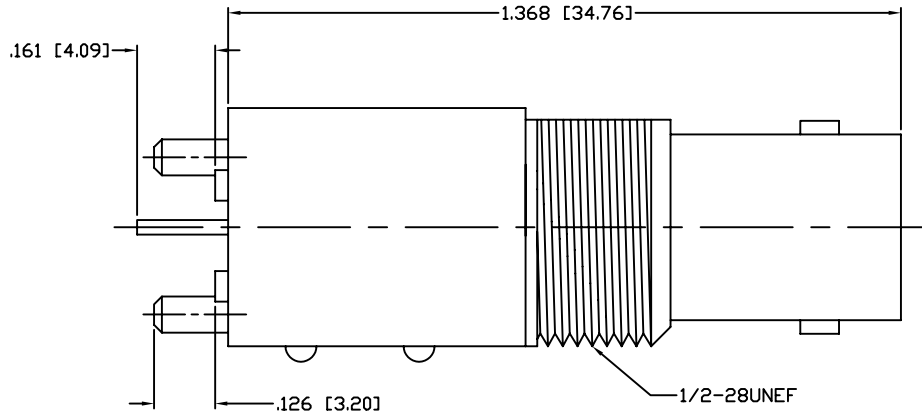
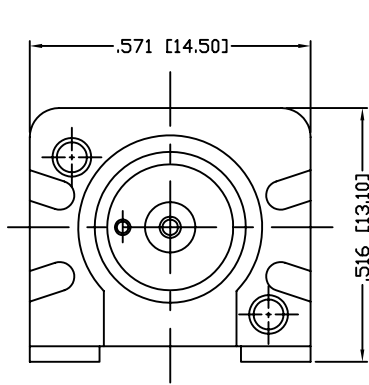
THIS DRAWING CONTAINS INFORMATION PROPRIETARY TO RF INDUSTRIES,  
 ANY UNAUTHORIZED USE OF THIS DRAWING IS EXPRESSLY PROHIBITED  
 WITHOUT WRITTEN PERMISSION FROM RF INDUSTRIES.  
 ANY VIOLATION IS PUNISHABLE UNDER U.S. COPYRIGHT LAWS.

ALL DIMENSIONS ARE REFERENCE ONLY

PART NO.

**RFB-1112-1B**

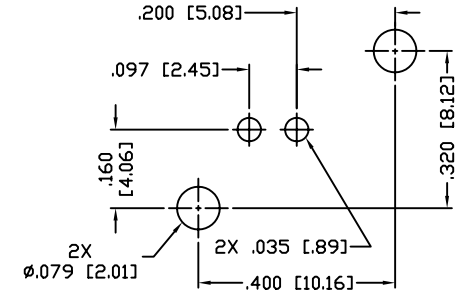
REV	DESCRIPTION	DWN	DATE	APPROVED
-	ENGINEERING RELEASE	CZS	000360	JDMc



PANEL CUTOUT

**SPECIFICATIONS:**

IMPEDANCE: 50 Ohms  
 FREQUENCY RANGE: 0-1 GHz  
 WORKING VOLTAGE: 500 V rms @ sea level  
 DIELECTRIC WITHSTANDING VOLTAGE: 1500 VOLTS RMS  
 CONTACT RESISTANCE: 3.0 MILLIOHMS MAX.  
 TEMPERATURE RANGE: -65°C TO 165°C  
 INSULATION RESISTANCE: 5k M Ohms min.



RECOMMENDED P.C.B. LAYOUT

1	BODY	1	ZINC DIE CAST	NICKEL	00360	
2	INSULATOR	1	POLYPROPYLENE	---		
3	CONTACT	1	PHOS. BRONZE	GOLD/TIN		
4	HOUSING	1	PBT	BLACK		
5	MOUNTING POST	1	BRASS	TIN		
6	GROUND TERMINAL	1	COPPER	TIN		
7						
8						
9						
10					DRAWN C. ZUNIGA 03/07/07	
11					CHECKED	
12						
13					ORJ DRAWN C. ZUNIGA 03/07/07	
14						
#	DESCRIPTION	QTY	MATERIAL	FINISH	APPROVALS	DATE

**ROHS  
COMPLIANT**

DIMENSIONS ARE IN INCHES  
 AND [MILLIMETERS]  
 UNLESS OTHERWISE NOTED  
 TOLERANCES ARE:

DECIMALS      DIAMETER

**RF connectors**  
 DIVISION OF RF INDUSTRIES, LTD.

7610 MIRAMAR RD  
 SAN DIEGO, CA 92126  
 (858) 549-6340  
 (858) 549-6345 FAX

**BNC JACK**

VERTICAL, PCB MOUNT

SIZE	CABLE GROUP	DWG NO.	REV
A	N/A	RFB-1112-1B	-
SCALE:	NTS	CAD FILE	OUTLINE
SHEET 1 OF 1			