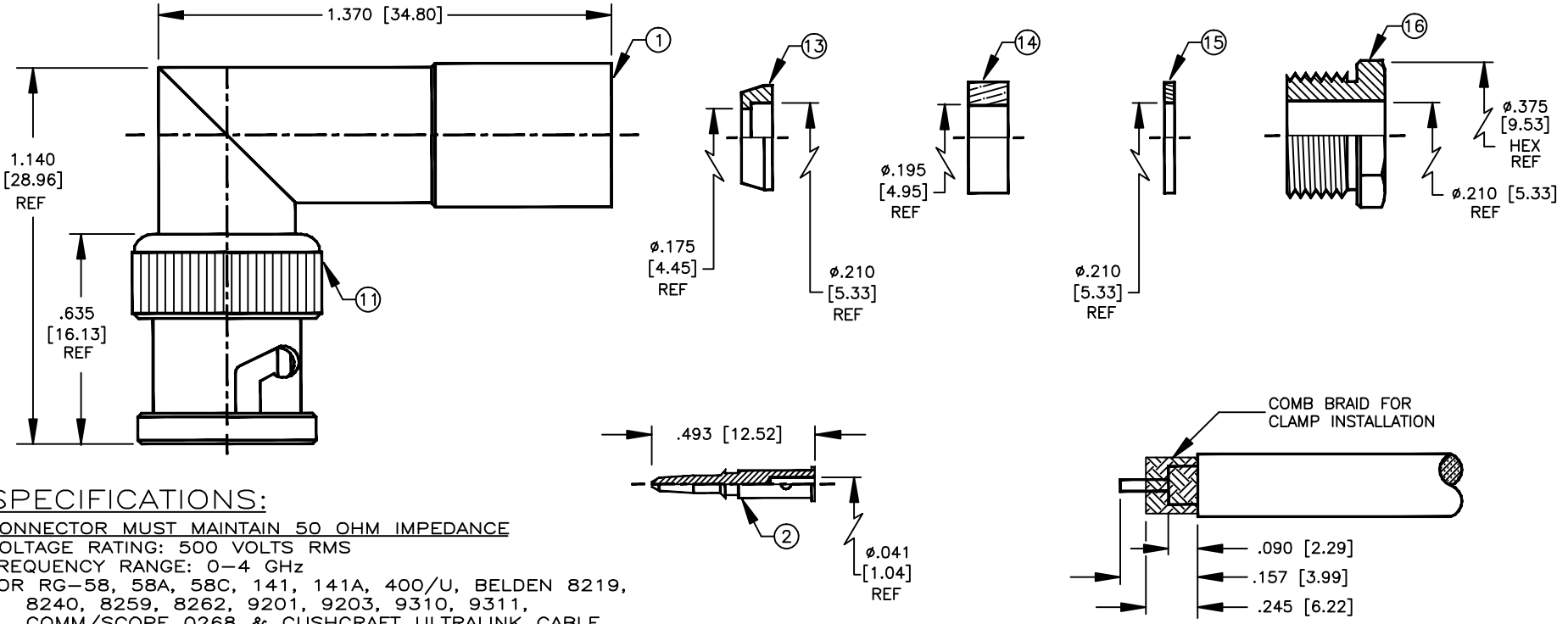


SPECIFICATION CONTROL DRAWING

THIS DRAWING CONTAINS INFORMATION PROPRIETARY TO RF INDUSTRIES, LTD. ANY UNAUTHORIZED USE OF THIS DRAWING IS EXPRESSLY PROHIBITED. ANY VIOLATION IS PUNISHABLE UNDER U.S. COPYRIGHT LAWS.

REV	DESCRIPTION	DWN	DATE	APPROVED
A	ENGINEERING RELEASE	KMM	5/3/95	R. RICE



SPECIFICATIONS:

CONNECTOR MUST MAINTAIN 50 OHM IMPEDANCE
 VOLTAGE RATING: 500 VOLTS RMS
 FREQUENCY RANGE: 0-4 GHz
 FOR RG-58, 58A, 58C, 141, 141A, 400/U, BELDEN 8219, 8240, 8259, 8262, 9201, 9203, 9310, 9311, COMM/SCOPE 0268 & CUSHCRAFT ULTRALINK CABLE

SUGGESTED STRIPPING INSTRUCTIONS
 SUGGESTED CRIMP: .068

ITEM	DESCRIPTION	QTY	MATERIAL	FINISH
16	IN LINE NUT	1	BRASS	SILVER
15	WASHER	1	BRASS	SILVER
14	GASKET	1	S.I. RUBBER	BRT ORANGE
13	CLAMP	1	BRASS	SILVER
12	WASHER	1	BRASS	SILVER
11	SHELL	1	BRASS	SILVER
10	WASHER	1	BRASS	SILVER
9	SPRING	1	SK-5	NONE
8	SPLIT LOCK WASHER	1	BRASS	NICKEL
7	GASKET	1	S.I. RUBBER	BRT ORANGE
6	DIELECTRIC	1	PTFE	NONE
5	DIELECTRIC	1	PTFE	NONE
4	PIN (PIN-303-11)	1	BRASS	SILVER
3	CONTACT	1	BRASS	SILVER
2	PIN	1	BRASS	SILVER
1	BODY	1	BRASS	SILVER

DIMENSIONS ARE IN INCHES AND [MILLIMETERS]	
UNLESS OTHERWISE NOTED TOLERANCES ARE:	
DECIMALS	DIAMETER
.XXX ±.003 [.08]	±.001
DRAWN K. MAXWELL	5/3/95
CHECKED	
ISSUED H. HILL	5/3/95
ORJ DRAWN K. MAXWELL	5/3/95
APPROVALS	DATE

RF connectors
 DIVISION OF RF INDUSTRIES, LTD.

7610 MIRAMAR RD
 SAN DIEGO, CA 92126
 (619)549-6340
 (619)549-6345 FAX

RFB-1110-S

BNC MALE RIGHT ANGLE CLAMP CONNECTOR

SIZE A	CABLE GROUP C	DWG NO. 8504A	REV A
SCALE: 2:1		CAD FILE 13ARC 197	SHEET 1 OF 1