

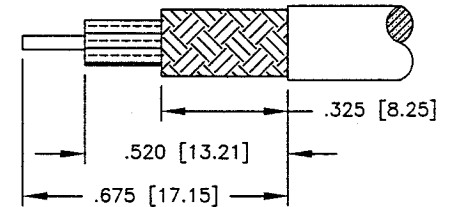
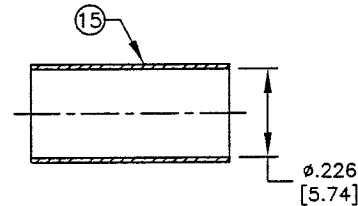
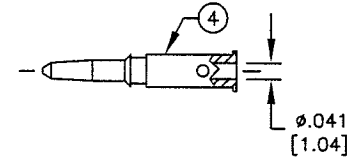
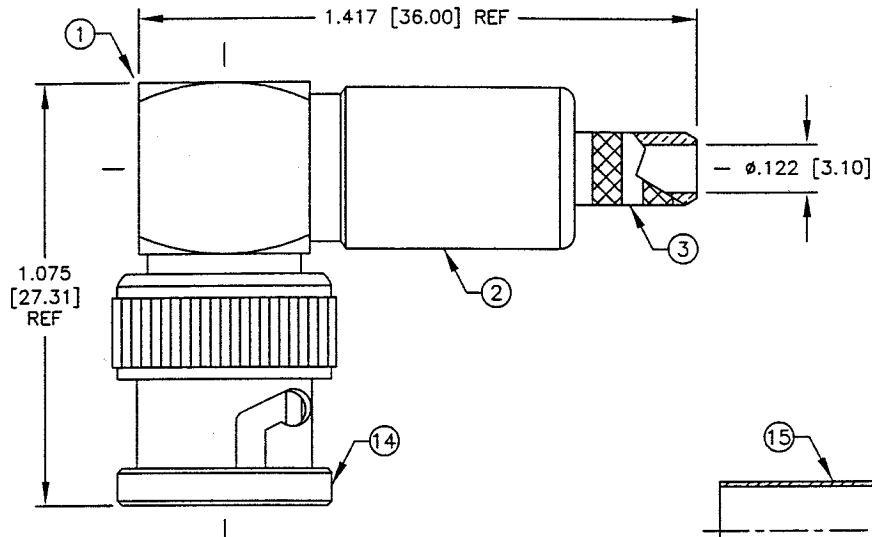
ENVELOPE / ASSEMBLY DRAWING

008974

SPECIFICATION CONTROL DRAWING

THIS DRAWING CONTAINS INFORMATION PROPRIETARY TO RF INDUSTRIES, LTD. ANY UNAUTHORIZED USE OF THIS DRAWING IS EXPRESSLY PROHIBITED. ANY VIOLATION IS PUNISHABLE UNDER U.S. COPYRIGHT LAWS.

| REV | DESCRIPTION | DWN | DATE | APPROVED |
|-----|---------------------|-----|---------|------------|
| - | ENGINEERING RELEASE | CZS | 1/11/00 | J. D. McR. |
| | | | | |
| | | | | |



IMPEDANCE: 50 OHMS
 WORKING VOLTAGE: 500 VRMS @ SEA LEVEL
 FREQUENCY RANGE: 0-4 GHz
 INSERTION LOSS: \leq -.3dB @ 3 GHz
 VSWR MAX: 1.5:1 @ 3 GHz
 FOR RG-55, 55A, 55B, 142, 142A, 142B, 223 & 400/U,
 ALPHA 9055, 9055B, 9223, BELDEN 8219, 83242, 84142, 9907
 INTERFACE PER MIL-STD-348, SECTION 301.1

SUGGESTED STRIPPING INSTRUCTIONS

SUGGESTED DIES: .213 & .068

| ITEM | DESCRIPTION | QTY | MATERIAL | FINISH |
|------|-------------------|-----|-------------|--------|
| 15 | FERRULE | 1 | COPPER | NICKEL |
| 14 | SHELL | 1 | BRASS | NICKEL |
| 13 | COVER | 1 | BRASS | NICKEL |
| 12 | WASHER | 1 | BRASS | NICKEL |
| 11 | SPRING | 1 | SK-5 | NICKEL |
| 10 | SPLIT LOCK WASHER | 1 | BRASS | NICKEL |
| 9 | GASKET | 1 | S.I. RUBBER | RED |
| 8 | DIELECTRIC | 1 | TEFLON | NONE |
| 7 | DIELECTRIC | 1 | TEFLON | NONE |
| 6 | PIN | 1 | BRASS | GOLD |
| 5 | CONTACT | 1 | PHOS BRONZE | GOLD |
| 4 | PIN | 1 | BRASS | GOLD |
| 3 | BARREL | 1 | BRASS | NICKEL |
| 2 | PRESS FIT BODY | 1 | BRASS | NICKEL |
| 1 | BODY | 1 | BRASS | NICKEL |

DIMENSIONS ARE IN INCHES AND [MILLIMETERS]

UNLESS OTHERWISE NOTED TOLERANCES ARE:
 DECIMALS DIAMETER

| | | |
|-----------|--------------------|---------|
| DRAWN | C. ZUNIGA | 1/11/00 |
| CHECKED | <i>[Signature]</i> | 1-11-00 |
| ORJ DRAWN | C. ZUNIGA | 1/11/00 |

RFconnectors
 DIVISION OF RF INDUSTRIES, LTD.

7610 MIRAMAR RD
 SAN DIEGO, CA 92126
 (619)549-6340
 (619)549-6345 FAX

RFB-1110-C1

BNC MALE RIGHT ANGLE CRIMP

| | | | |
|------------|-------------|------------|--------------|
| SIZE | CABLE GROUP | DWG NO. | REV |
| A | C1 | RFB-1110C1 | - |
| SCALE: 2:1 | CAD FILE | 13ARC B | SHEET 1 OF 1 |