

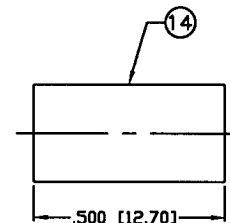
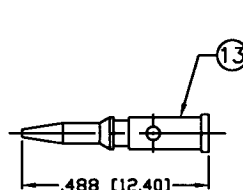
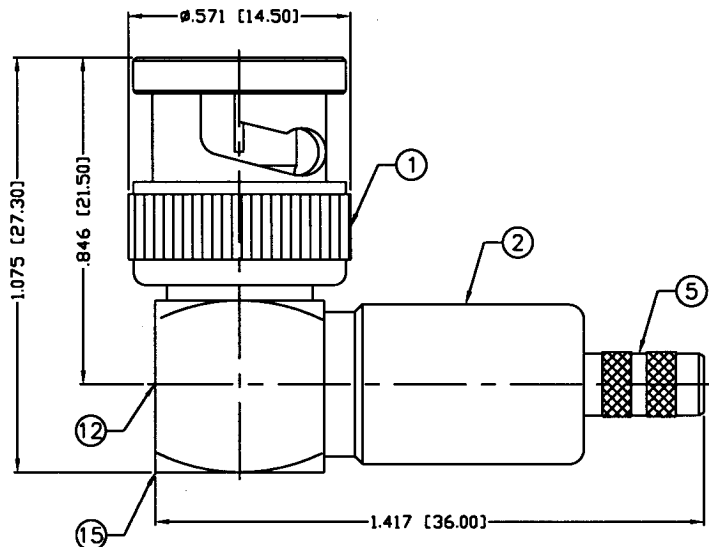
THIS DRAWING CONTAINS INFORMATION PROPRIETARY TO RF INDUSTRIES.  
 ANY UNAUTHORIZED USE OF THIS DRAWING IS EXPRESSLY PROHIBITED  
 WITHOUT WRITTEN PERMISSION FROM RF INDUSTRIES.  
 ANY VIOLATION IS PUNISHABLE UNDER U.S. COPYRIGHT LAWS.

ALL DIMENSIONS ARE REFERENCE ONLY

PART NO.

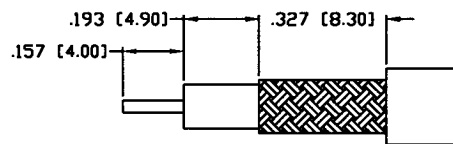
**RFB-1110-1**

REV	DESCRIPTION	DWN	DATE	APPROVED
-	ENGINEERING RELEASE	CZS	1/10/00	JDMc
A	ADD CRIMP DIE DIM, CHANGE FORMAT & SPECS	GGG	3/14/02	JDMc



**SPECIFICATIONS:**

IMPEDANCE: 50 Ohms  
 FREQUENCY RANGE: 0-4 GHz  
 WORKING VOLTAGE: 500 V rms @ sea level  
 TEMPERATURE RANGE: -65°C TO 85°C  
 INSULATION RESISTANCE: 5k M Ohms min.  
 FOR RG-58, 58A, 58C, 141, 141A, BELDEN 8240,  
 8262, 9201, 9203, 9310, 9311 & COMM/SCOPE 0268



#	DESCRIPTION	QTY	MATRL	FINISH
1	SHELL	1	BRASS	NICKEL, 100 $\mu$ "
2	PRESS BODY	1	BRASS	NICKEL, 100 $\mu$ "
3	INSULATOR	1	PTFE	---
4	CONTACT	1	PHOS BRONZE	GOLD, 3 $\mu$ "
5	FERRULE STUD	1	BRASS	NICKEL, 100 $\mu$ "
6	INSULATOR	1	PTFE	---
7	GASKET	1	RUBBER	---
8	RETAINING RING	1	BRASS	NICKEL, 200 $\mu$ "
9	SPRING	1	SK5	NICKEL, 100 $\mu$ "
10	WASHER	1	BRASS	NICKEL, 100 $\mu$ "
11	PIN	1	BRASS	GOLD, 3 $\mu$ "
12	COVER CAP	1	BRASS	NICKEL, 200 $\mu$ "
13	PIN	1	BRASS	GOLD, 3 $\mu$ "
14	FERRULE	1	BRASS	NICKEL, 100 $\mu$ "
15	BODY	1	BRASS	NICKEL, 100 $\mu$ "

008974	
DRAWN	G. GALLEGOS
CHECKED	JDMc
ORJ DRAWN	C. ZUÑIGA
DATE	3/14/02
DATE	1/10/00

UNLESS OTHERWISE SPECIFIED:  
 1. REMOVE ALL BURRS  
 2. BREAK ALL CORNERS & EDGES .005 R. MAX.  
 3. CHAMFER 1ST & LAST THREADS 45°  
 4. SURFACE ROUGHNESS 63 FINISH MIL-STD-10  
 5. DIAMETERS ON COMMON CENTERS TO BE CONCENTRIC WITHIN .002 T.I.R.  
 6. ALL DIMENSIONS ARE AFTER PLATING.

DIMENSIONS ARE IN INCHES AND [MILLIMETERS]  
 UNLESS OTHERWISE NOTED TOLERANCES ARE:  
 DECIMALS .xxx±.003 [.08]  
 .xx±.005 [.13]  
 DIAMETER .xxx±.001 [.03]  
 .xx±.003 [.08]



7610 MIRAMAR RD  
 SAN DIEGO, CA 92126  
 (858) 549-6340  
 (858) 549-6345 FAX

**BNC PLUG, CRIMP**

RIGHT ANGLE

SIZE	CABLE GROUP	DWG NO.	REV
A	C	RFB-1110-1	A
SCALE:	NTS	CAD FILE	OUTLINE
SHEET			1 OF 1