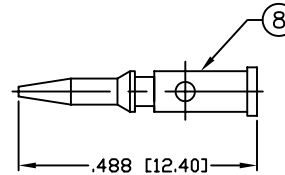
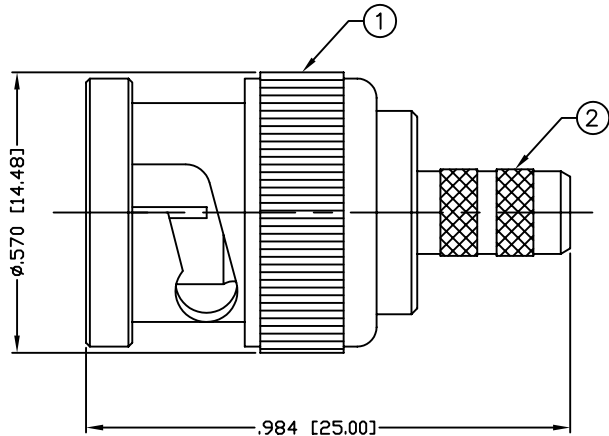


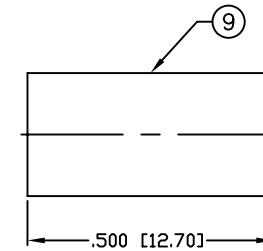
THIS DRAWING CONTAINS INFORMATION PROPRIETARY TO RF INDUSTRIES,  
 ANY UNAUTHORIZED USE OF THIS DRAWING IS EXPRESSLY PROHIBITED  
 WITHOUT WRITTEN PERMISSION FROM RF INDUSTRIES.  
 ANY VIOLATION IS PUNISHABLE UNDER U.S. COPYRIGHT LAWS.

ALL DIMENSIONS ARE REFERENCE ONLY

|          |                     |                    |        |          |
|----------|---------------------|--------------------|--------|----------|
| PART NO. |                     | <b>RFB-1106-C1</b> |        |          |
| REV      | DESCRIPTION         | DWN                | DATE   | APPROVED |
| -        | ENGINEERING RELEASE | JDM                | 3/4/98 | JDMc     |
|          |                     |                    |        |          |
|          |                     |                    |        |          |



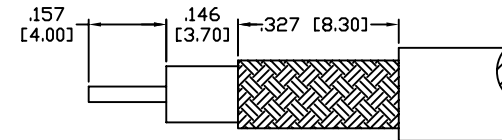
RECOMMENDED CRIMP SIZE: .068



RECOMMENDED CRIMP SIZE: .213

**SPECIFICATIONS:**

IMPEDANCE: 50 OHMS  
 FREQUENCY RANGE: 0-4 GHz  
 VSWR: 1.3 Max.  
 WORKING VOLTAGE: 500 V rms @ sea level  
 TEMPERATURE RANGE: -65°C TO 165°C  
 INSULATION RESISTANCE: 5k M Ohms min.  
 FOR RG-55, 55A, 55B, 142, 142A, 142B, 223 & 400/U,  
 ALPHA 9055, 9055B, 9223, BELDEN 8219, 83242, 84142, 9907



RECOMMENDED CABLE STRIPPING DIM'S

|    |               |     |          |                |                |
|----|---------------|-----|----------|----------------|----------------|
| 1  | COUPLING NUT  | 1   | BRASS    | NICKEL 100 μ"  | 008974         |
| 2  | BODY          | 1   | BRASS    | NICKEL 100 μ"  |                |
| 3  | INSULATOR     | 1   | PTFE     | ---            |                |
| 4  | GASKET        | 1   | RUBBER   | ---            |                |
| 5  | RETAINER RING | 1   | BRASS    | NICKEL, 100 μ" |                |
| 6  | SPRING        | 1   | SK5      | NICKEL, 200 μ" |                |
| 7  | WASHER        | 1   | BRASS    | NICKEL 100 μ"  |                |
| 8  | PIN           | 1   | BRASS    | GOLD, 3 μ"     |                |
| 9  | FERRULE       | 1   | BRASS    | NICKEL 100 μ"  |                |
| 10 |               |     |          |                |                |
| 11 |               |     |          |                |                |
| 12 |               |     |          |                |                |
| 13 |               |     |          |                |                |
| 14 |               |     |          |                |                |
| #  | DESCRIPTION   | QTY | MATERIAL | FINISH         | APPROVALS DATE |

UNLESS OTHERWISE SPECIFIED:  
 1. REMOVE ALL BURRS  
 2. BREAK ALL CORNERS & EDGES .005 R. MAX.  
 3. CHAMFER 1ST & LAST THREADS 45°  
 4. SURFACE ROUGHNESS 63 FINISH MIL-STD-10  
 5. DIAMETERS ON COMMON CENTERS TO BE CONCENTRIC WITHIN .002 T.I.R.  
 6. ALL DIMENSIONS ARE AFTER PLATING.

DIMENSIONS ARE IN INCHES AND [MILLIMETERS]  
 UNLESS OTHERWISE NOTED TOLERANCES ARE:  
 DECIMALS DIAMETER  
 .XXX±.003 [.08] .XXX±.001 [.03]  
 .XX±.005 [.13] .XX±.003 [.08]

RF

connectors

7610 MIRAMAR RD  
 SAN DIEGO, CA 92126  
 (858) 549-6340  
 (858) 549-6345 FAX

DIVISION OF RF INDUSTRIES, LTD.

## BNC PLUG, CRIMP

|            |                   |                        |              |
|------------|-------------------|------------------------|--------------|
| SIZE<br>A  | CABLE GROUP<br>C1 | DWG NO.<br>RFB-1106-C1 | REV<br>—     |
| SCALE: NTS |                   | CAD FILE OUTLINE       | SHEET 1 OF 1 |