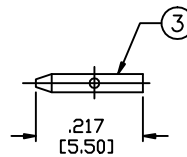
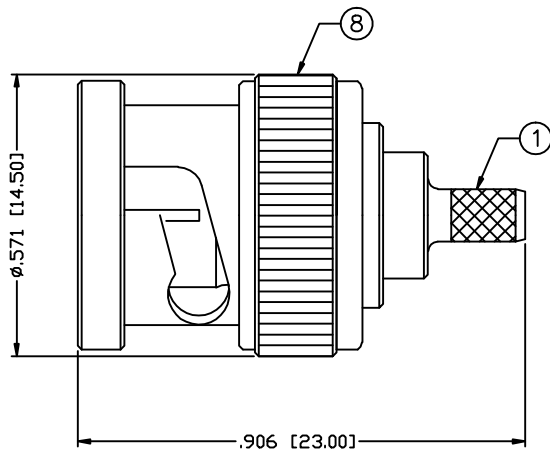


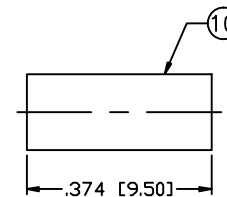
PART NO.

RFB-1106-B1

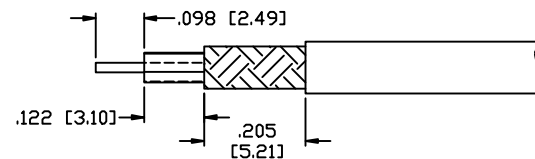
REV	DESCRIPTION	DWN	DATE	APPROVED
-	ENGINEERING RELEASE	CZS	08/09/09	JDMc



SOLDER ONLY



RECOMMENDED CRIMP DIE: 130"



RECOMMENDED STRIPPING DIMENSIONS

SPECIFICATIONS:

IMPEDANCE: 50 Ohms
 FREQUENCY RANGE: 0-4 GHz
 VSWR: 1.3 Max.
 WORKING VOLTAGE: 500 V rms @ sea level
 TEMPERATURE RANGE: -65°C TO 85°C
 INSULATION RESISTANCE: 5k M Ohms min.
 FOR RG-316/U DOUBLE SHIELD CABLE

10	FERRULE	1	BRASS	NICKEL, 80 μ "
9	PIN	1	BRASS	GOLD, 3 μ "
8	SHELL	1	BRASS	NICKEL, 80 μ "
7	GASKET	1	RUBBER	---
6	SPLIT LOCK WASHER	1	BRASS	NICKEL, 80 μ "
5	SPRING	1	SK-5	NICKEL, 80 μ "
4	WASHER	1	BRASS	NICKEL, 80 μ "
3	PIN	1	BRASS	GOLD, 3 μ "
2	INSULATOR	1	PTFE	---
1	BODY	1	BRASS	NICKEL, 80 μ "
#	DESCRIPTION	QTY	MATERIAL	FINISH

CUSTOMER
OUTLINE DRAWINGALL DIMENSIONS
ARE REFERENCE ONLYUNLESS OTHERWISE SPECIFIED:
DIMENSIONS ARE IN INCHES
AND [MILLIMETERS]DRAWN
C. ZUNIGA 02/23/12
CHECKEDORJ DRAWN
C. ZUNIGA 02/23/12**RoHS
COMPLIANT**

PROPRIETARY AND CONFIDENTIAL
 THIS DRAWING CONTAINS
 INFORMATION PROPRIETARY TO
 RF INDUSTRIES. ANY
 UNAUTHORIZED USE OF THIS
 DRAWING IS EXPRESSLY
 PROHIBITED WITHOUT WRITTEN
 PERMISSION FROM RF
 INDUSTRIES. ANY VIOLATION IS
 PUNISHABLE UNDER U.S.
 COPYRIGHT LAWS.

RFconnectors

7610 MIRAMAR RD.
 SAN DIEGO, CA 92126
 (858) 549-6340
 DIVISION OF RF INDUSTRIES, LTD. (858) 549-6345 FAX

BNC PLUG, CRIMP

SIZE	CABLE GROUP	DWG NO.	REV
A	B1	RFB-1106-B1	---
SCALE: NTS		ENGINEERING ID: 000494	SHEET 1 OF 1