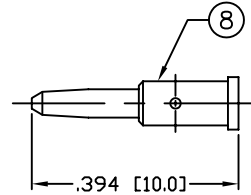
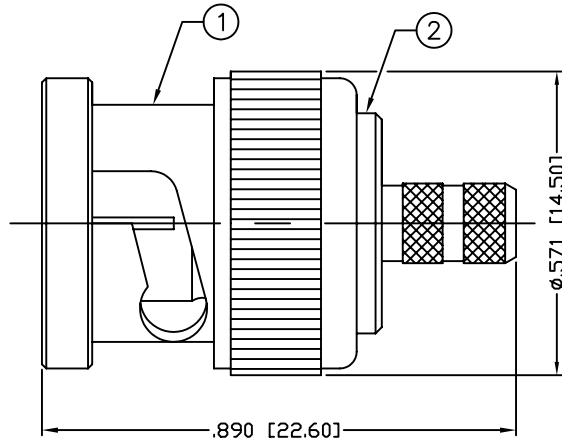


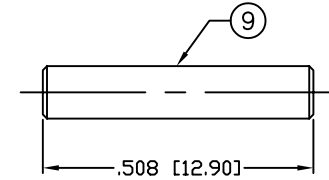
THIS DRAWING CONTAINS INFORMATION PROPRIETARY TO RF INDUSTRIES,  
 ANY UNAUTHORIZED USE OF THIS DRAWING IS EXPRESSLY PROHIBITED  
 WITHOUT WRITTEN PERMISSION FROM RF INDUSTRIES.  
 ANY VIOLATION IS PUNISHABLE UNDER U.S. COPYRIGHT LAWS.

ALL DIMENSIONS ARE REFERENCE ONLY

PART NO.		<b>RFB-1106-B-ST</b>		
REV	DESCRIPTION	DWN	DATE	APPROVED
-	ENGINEERING RELEASE	CZS	08/19/02	JDMc

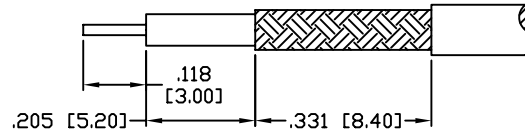


RECOMMENDED CRIMP DIE: .068"

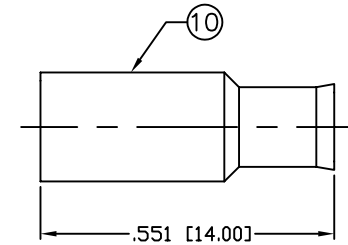


**SPECIFICATIONS:**

IMPEDANCE: 50 Ohms  
 FREQUENCY RANGE: 0-4 GHz  
 VSWR: 1.3 Max.  
 WORKING VOLTAGE: 500 V rms @ sea level  
 TEMPERATURE RANGE: -65°C TO 85°C  
 INSULATION RESISTANCE: 5k M Ohms min.  
 FOR RG-174, 188, 188A, 316/U, ALPHA 9174, 9316,  
 BELDEN 8216, 83269, 83284, 84316 & TIMES LMR-100A CABLE



RECOMMENDED STRIPPING DIMENSIONS



RECOMMENDED CRIMP DIE: .178"

1	SHELL	1	BRASS	SILVER, 80μ"	008974	DRAWN C. ZUNIGA CHECKED	10/07/07
2	BODY	1	BRASS	SILVER, 80μ"			
3	INSULATOR	1	PTFE	---			
4	GASKET	1	RUBBER	---			
5	RETAINING RING	1	BRASS	NICKEL, 100μ"			
6	SPRING	1	SK5	NICKEL, 200μ"			
7	WASHER	1	BRASS	SILVER, 80μ"			
8	PIN	1	BRASS	GOLD, 3μ"			
9	INSERT	1	DELTRIN	---			
10	FERRULE	1	BRASS	SILVER, 80μ"			
11					ORJ DRAWN	10/07/07	
12					C. ZUNIGA		
13							
14							
#	DESCRIPTION	QTY	MATRL	FINISH	APPROVALS	DATE	

UNLESS OTHERWISE SPECIFIED:  
 1. REMOVE ALL BURRS  
 2. BREAK ALL CORNERS & EDGES .005 R. MAX.  
 3. CHAMFER 1ST & LAST THREADS 45°  
 4. SURFACE ROUGHNESS 63 FINISH MIL-STD-10  
 5. DIAMETERS ON COMMON CENTERS TO BE CONCENTRIC WITHIN .002 T.I.R.  
 6. ALL DIMENSIONS ARE AFTER PLATING.

DIMENSIONS ARE IN INCHES AND [MILLIMETERS]  
 UNLESS OTHERWISE NOTED TOLERANCES ARE:  
 DECIMALS      DIAMETER  
 .XXX±.003 [.08]      .XXX±.001 [.03]  
 .XX±.005 [.13]      .XX±.003 [.08]



7610 MIRAMAR RD  
 SAN DIEGO, CA 92126  
 (858) 549-6340  
 (858) 549-6345 FAX

**BNC PLUG CRIMP**

SIZE	CABLE GROUP	DWG NO.	REV
A	B	RFB-1106-B-ST	-
SCALE:	NTS	CAD FILE	OUTLINE
			SHEET 1 OF 1