

ENVELOPE / ASSEMBLY DRAWING

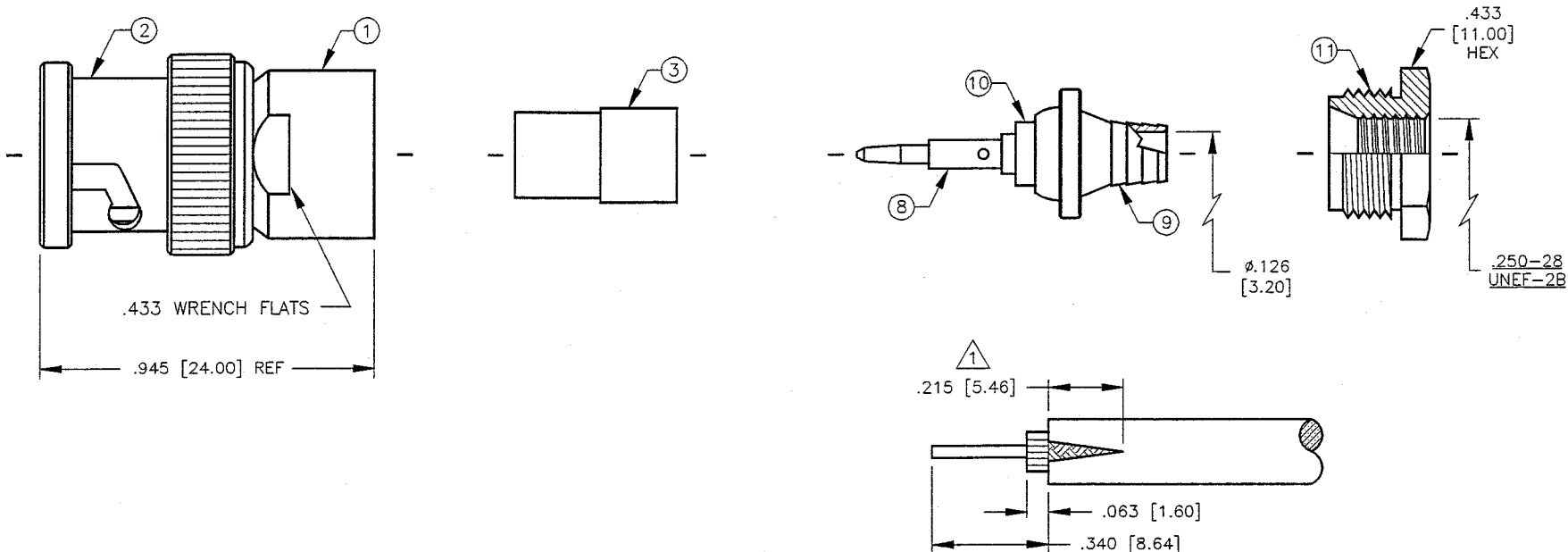
008974

SPECIFICATION CONTROL DRAWING

THIS DRAWING CONTAINS INFORMATION PROPRIETARY TO RF INDUSTRIES, LTD. ANY UNAUTHORIZED USE OF THIS DRAWING IS EXPRESSLY PROHIBITED. ANY VIOLATION IS PUNISHABLE UNDER U.S. COPYRIGHT LAWS.

REV	DESCRIPTION	DWN	DATE	APPROVED
A	ENGINEERING RELEASE	CZS	8/11/99	R. RICE

ALL DIMENSIONS ARE REFERENCE ONLY



SPECIFICATIONS:

IMPEDANCE: 50 OHMS
 WORKING VOLTAGE: 500 VRMS @ SEA LEVEL
 FREQUENCY RANGE: 0-4 GHz
 FOR RG-58, 58A, 58C, 141, 141A, BELDEN 8240,
 8259, 8262, 9201, 9203, 9310, 9311 & COMM/SCOPE 0268
 INTERFACE PER MIL-STD-348, SECTION 301.1

SUGGESTED STRIPPING INSTRUCTIONS

PIN TO BE SOLDERED
 SLICE JACKET - 2 PLACES



ITEM	DESCRIPTION	QTY	MATERIAL	FINISH
11	HEX NUT	1	BRASS	NICKEL
10	DIELECTRIC	1	TEFLON	NONE
9	PIN ASSEMBLY	1	BRASS	NICKEL
8	PIN	1	BRASS	SILVER
7	WASHER	1	BRASS	NICKEL
6	SPRING	1	SK-5	NONE
5	RETAINING RING	1	BRASS	NICKEL
4	GASKET	1	S.I. RUBBER	RED
3	DIELECTRIC	1	TEFLON	NONE
2	SHELL	1	BRASS	NICKEL
1	BODY	1	BRASS	NICKEL

DIMENSIONS ARE IN INCHES AND [MILLIMETERS]

UNLESS OTHERWISE NOTED TOLERANCES ARE:
 DECIMALS DIAMETER

DRAWN	C. ZUNIGA	8/11/99
CHECKED	<i>C. Zuniga</i>	8/16/99
QD DRAWN	C. ZUNIGA	8/11/99
APPROVALS		DATE

RF connectors
 DIVISION OF RF INDUSTRIES, LTD.

7610 MIRAMAR RD
 SAN DIEGO, CA 92126
 (858) 549-6340
 (858) 549-6345 FAX

RFB-1102-T

BNC MALE SOLDERLESS CLAMP

SIZE	CABLE GROUP	DWG NO.	REV
A	C	9223	A
SCALE:	2:1	CAD FILE	13ARC B
			SHEET 1 OF 1