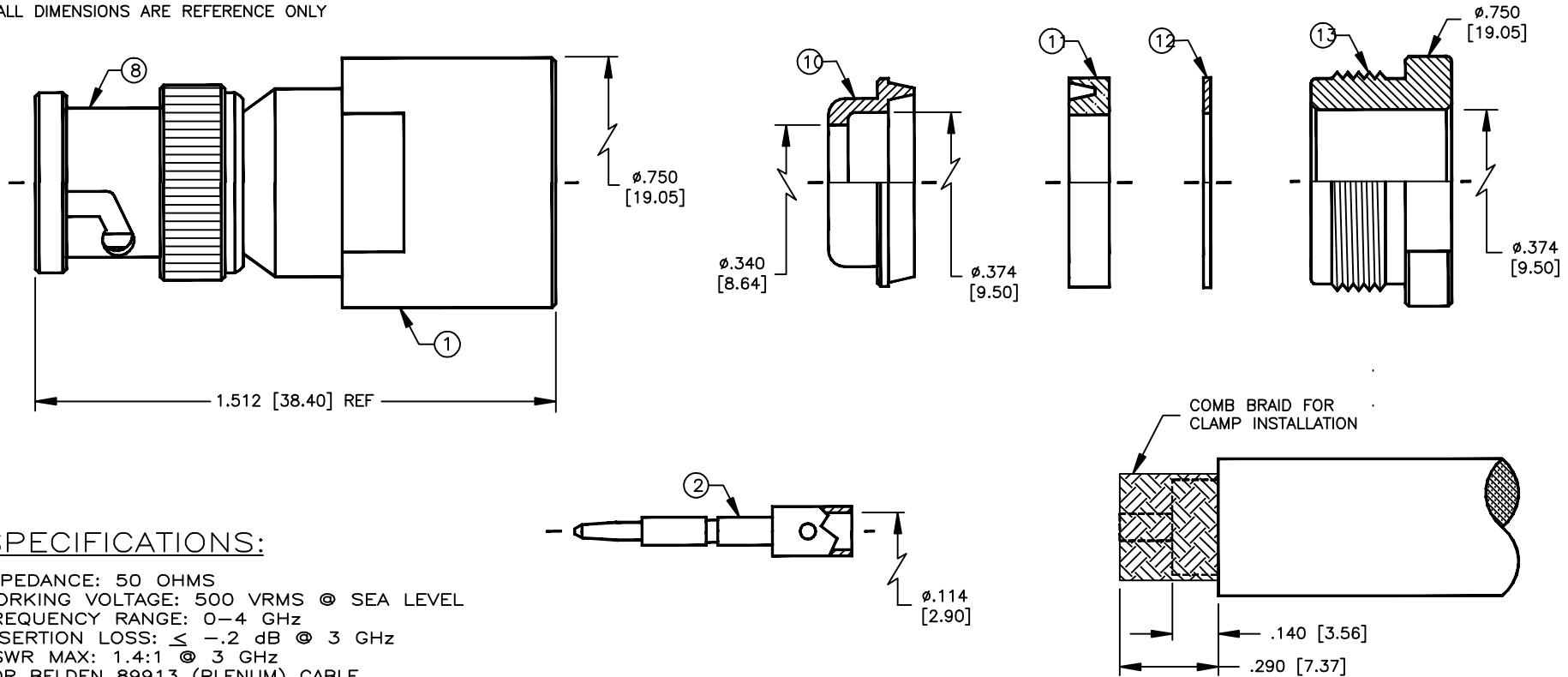


SPECIFICATION CONTROL DRAWING

THIS DRAWING CONTAINS INFORMATION PROPRIETARY TO RF INDUSTRIES, LTD. ANY UNAUTHORIZED USE OF THIS DRAWING IS EXPRESSLY PROHIBITED. ANY VIOLATION IS PUNISHABLE UNDER U.S. COPYRIGHT LAWS.

REV	DESCRIPTION	DWN	DATE	APPROVED
A	ENGINEERING RELEASE	CZS	8/25/99	R. RICE

ALL DIMENSIONS ARE REFERENCE ONLY



SPECIFICATIONS:

IMPEDANCE: 50 OHMS
 WORKING VOLTAGE: 500 VRMS @ SEA LEVEL
 FREQUENCY RANGE: 0-4 GHz
 INSERTION LOSS: ≤ -2 dB @ 3 GHz
 VSWR MAX: 1.4:1 @ 3 GHz
 FOR BELDEN 89913 (PLENUM) CABLE
 INTERFACE PER MIL-STD-348, SECTION 301.1

SUGGESTED STRIPPING INSTRUCTIONS
 SUGGESTED CRIMP: .128

ITEM	DESCRIPTION	QTY	MATERIAL	FINISH
13	BACK NUT	1	BRASS	SILVER
12	WASHER	1	BRASS	SILVER
11	GASKET	1	S.I. RUBBER	RED
10	CLAMP	1	BRASS	SILVER
9	PRESS FIT WASHER	1	BRASS	SILVER
8	SHELL	1	BRASS	SILVER
7	WASHER	1	BRASS	SILVER
6	SPRING	1	SK-5	SILVER
5	SPLIT LOCK WASHER	1	BRASS	SILVER
4	GASKET	1	S.I. RUBBER	RED
3	DIELECTRIC	1	PTFE	NONE
2	PIN	1	BRASS	GOLD
1	BODY	1	BRASS	SILVER

DIMENSIONS ARE IN INCHES AND [MILLIMETERS]

UNLESS OTHERWISE NOTED TOLERANCES ARE:
 DECIMALS DIAMETER

DRAWN C. ZUNIGA 8/25/99

CHECKED

ORJ DRAWN C. ZUNIGA 8/25/99

APPROVALS DATE

RFconnectors
 DIVISION OF RF INDUSTRIES, LTD.

7610 MIRAMAR RD
 SAN DIEGO, CA 92126
 (858) 549-6340
 (858) 549-6345 FAX

RFB-1101-PL

BNC MALE CLAMP

SIZE	CABLE GROUP	DWG NO.	REV
A	PL	9235	A
SCALE: 2:1	CAD FILE 13ARC B	SHEET 1 OF 1	