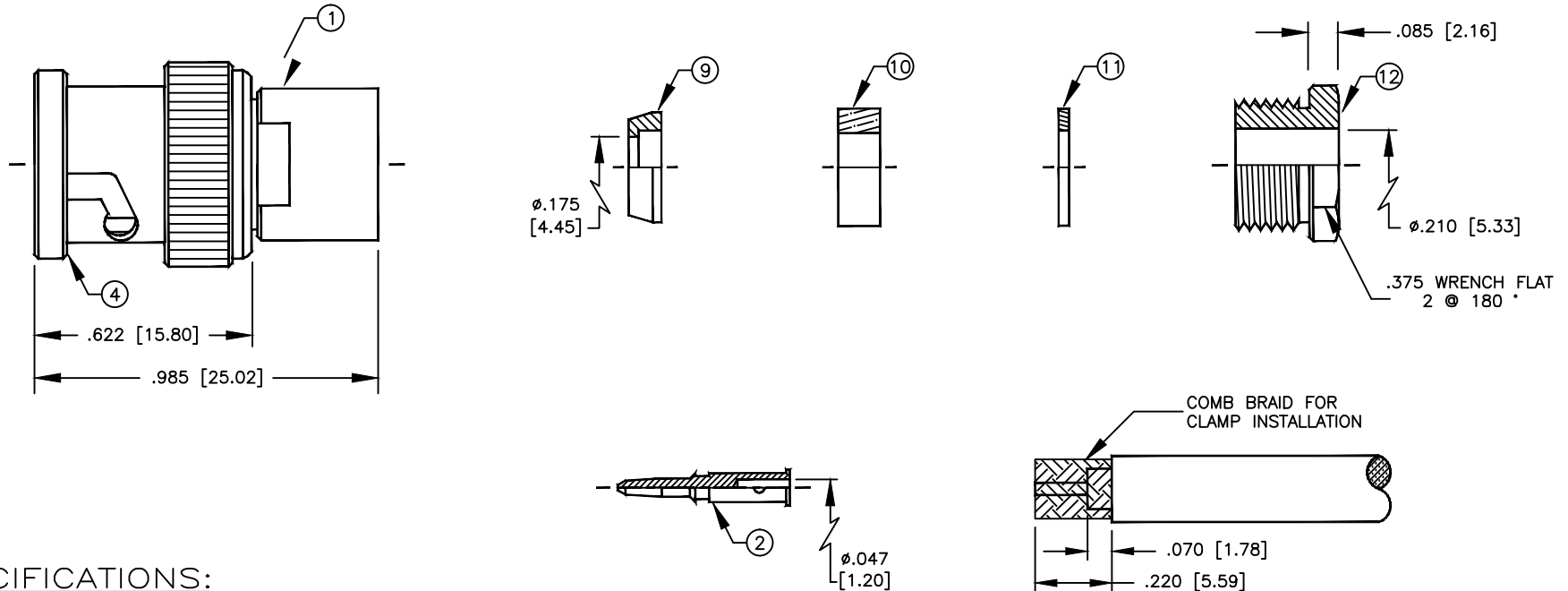


SPECIFICATION CONTROL DRAWING

THIS DRAWING CONTAINS INFORMATION PROPRIETARY TO RF INDUSTRIES, LTD. ANY UNAUTHORIZED USE OF THIS DRAWING IS EXPRESSLY PROHIBITED. ANY VIOLATION IS PUNISHABLE UNDER U.S. COPYRIGHT LAWS.

REV	DESCRIPTION	DWN	DATE	APPROVED
A	ENGINEERING RELEASE	CZS	9/5/97	R. RICE

ALL DIMENSIONS REFERENCE ONLY



SPECIFICATIONS:

IMPEDANCE: 50 OHMS
 WORKING VOLTAGE: 500 VRMS @ SEA LEVEL
 FREQUENCY RANGE: 0-4 GHz
 INSERTION LOSS: \leq -.2 dB @ 3 GHz
 VSWR MAX: 1.4:1 @ 3 GHz
 FOR TIMES LMR-200, LMR-200 ULTRAFLEX, ALPHA 9848 & MSI-22

SUGGESTED STRIPPING INSTRUCTIONS
 SUGGESTED CRIMP: .068

ITEM	DESCRIPTION	QTY	MATERIAL	FINISH
12	IN LINE NUT	1	BRASS	SILVER
11	WASHER	1	BRASS	SILVER
10	GASKET	1	S.I. RUBBER	RED
9	CLAMP	1	BRASS	SILVER
8	WASHER	1	BRASS	SILVER
7	SPRING	1	QQB613 (BRASS)	NONE
6	SPLIT LOCK WASHER	1	BRASS	SILVER
5	GASKET	1	S.I. RUBBER	RED
4	SHELL	1	BRASS	SILVER
3	DIELECTRIC	1	PTFE	NONE
2	PIN [PIN-3C2-11]	1	BRASS	GOLD
1	BODY	1	BRASS	SILVER

DIMENSIONS ARE IN INCHES AND [MILLIMETERS]	
UNLESS OTHERWISE NOTED TOLERANCES ARE:	
DECIMALS	DIAMETER
DRAWN C. ZUNIGA	9/5/97
CHECKED	
ORJ DRAWN C. ZUNIGA	9/5/97
APPROVALS	DATE

RFconnectors
 DIVISION OF RF INDUSTRIES, LTD.

7610 MIRAMAR RD
 SAN DIEGO, CA 92126
 (619)549-6340
 (619)549-6345 FAX

RFB-1100-C2ST

MALE CLAMP PLUG

SIZE A	CABLE GROUP C2	DWG NO. 8746	REV A
SCALE: 2:1		CAD FILE 13ARC B	SHEET 1 OF 1