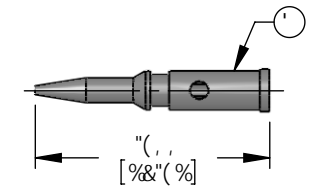
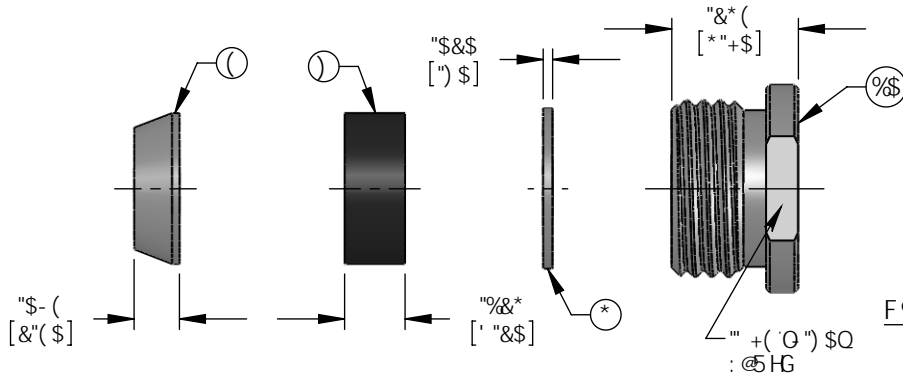
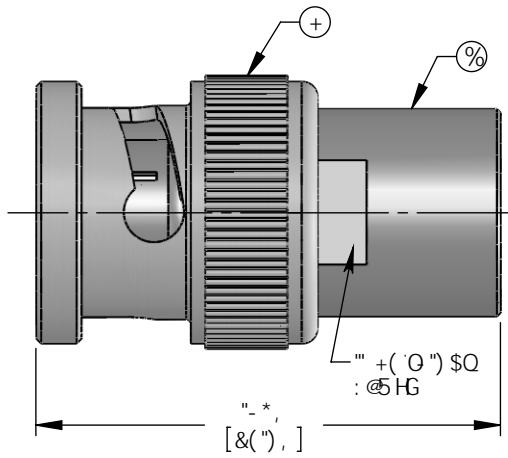
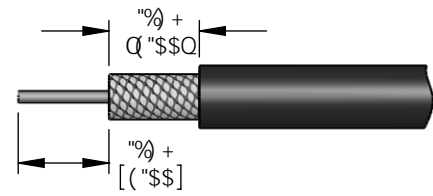


F: 6!%\$\$! 6

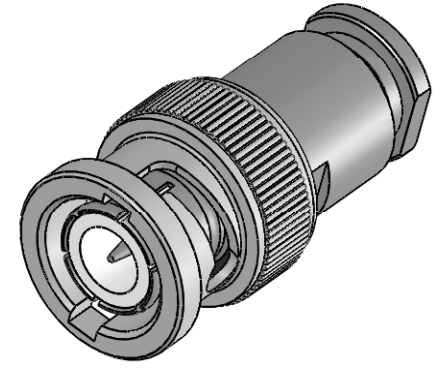
F9J	89G7 F-DHC B	85H9	5DDF
6%	7 CBJ 9FH98 8F5K B; : CFA 5HHC GK	\$- #\$(#\$,	>8A



F97 C A A 9B898 7 F A D 8 9. "\$*, "



F97 C A A 9B898 GF-DDB; B-GFI 7 HC BG



&.%

GD97 ÷ 7 5 HC BG

A D985B79.) \$C \a g
 : F9E I 9B7 MF5B; 9. \$(; <n
 J GK F. "% " A 5L"
 BG @HC B F9GGH5B79.) "A 'C \a ga]b"
 H9A D9F5H F9F5B; 9. !*) °7 'HC ;) °7
 B G9FHCB @C GGF6L "\$* X6A 5L "I VZ] <n
 K CF? B; : JC @5; 9.) \$\$J 'fa gA UI "4 GYU @j Y'
 : C F F; !%(z%, z%, 5z' %* # z5 @ <5 - %+(z- ' %* z
 ...69@89B, &%z, ' &* - z, ' &, (z, (' % / 'HA 9G @A F!%\$5 756@

%&	F9H5-B-B; : F-B;	\$&!%A!\$\$&!6B	6fUgg	B-7?9@	%
%%	GDF-B; : K 5G<9F	\$) %!%A!\$\$%A!6B	6fUgg	B-7?9@	%
\$\$	657? BI H	\$(!%A!\$\$%A!6B	6fUgg	: B-6<	%
-	6B7; : 5G?9H	\$&, !%A!\$\$%A!6B	G@7 C B9FI 669F	F98	%
,	K 5G<9F	\$% !%A!\$\$&!6B	6fUgg	B-7?9@	%
+	6B7 G<9@	\$% !%A!\$\$!6B	6fUgg	B-7?9@	%
*	K 5G<9F	\$% !%A!\$\$!6B	6fUgg	B-7?9@	%
)	; 5G?9H	\$&&LLL!\$\$!6B	G@7 C B9FI 669F	BCB9	%
(6F5-8 7 @A D	\$&&LLL!\$\$!6B	6fUgg	B-7?9@	%
'	D-B	\$\$-!%A!\$\$!6B	6fUgg	: C @	%
&	BG @HC F	\$\$!%A!\$\$!6B	DH 9	BCB9	%
%	6C 8M	\$\$%A!\$\$!6B	6fUgg	: B-6<	%
	89G7 F-DHC B	D5FHBI A 69F	A 5HF-5@	: B-6<	E HM

TQJU
7 C A D @5 BH

1 B @9GCH 9FK @9GD97 ÷ 98.
8 A 9BGC BG5F9-B B7 <9G
5 @8 A 9BGC G5F9: CF"
F9. 9F9B79CB @M

756@: FCTD
6
7C89
\$%) *\$

TRPF WVTKGU
9832 O KTCO CTTF0UCP FKI Q. EC0; 4348
: 7: /76; /8562 "ECZ" : 7: /76; /8567

H# @.

6B7 'D@ ; z7 @5 A D

G@9	8K ; "BC"	F9J
5	F: 6!%\$\$! 6	6%
G7 5 @. BHG	BC H9G	G< 99H% C : %