

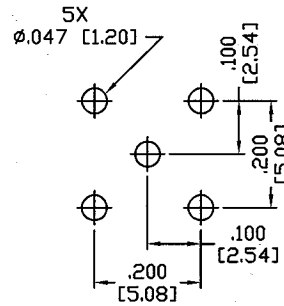
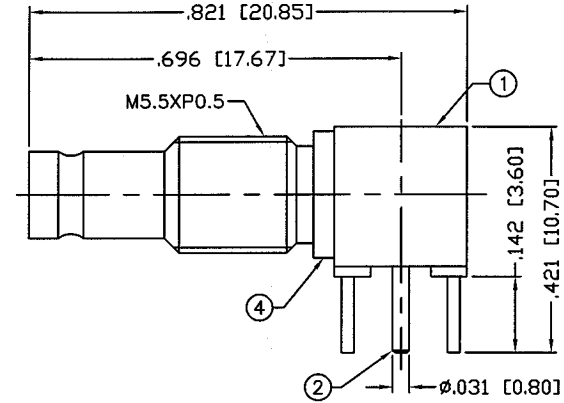
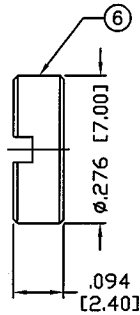
THIS DRAWING CONTAINS INFORMATION PROPRIETARY TO RF INDUSTRIES.
 ANY UNAUTHORIZED USE OF THIS DRAWING IS EXPRESSLY PROHIBITED
 WITHOUT WRITTEN PERMISSION FROM RF INDUSTRIES.
 ANY VIOLATION IS PUNISHABLE UNDER U.S. COPYRIGHT LAWS.

ALL DIMENSIONS ARE REFERENCE ONLY

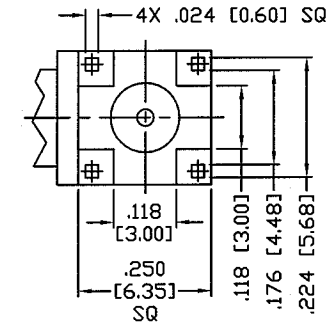
PART NO.

RF123-7300-1

REV	DESCRIPTION	DWN	DATE	APPROVED
-	ENGINEERING RELEASE	CZS	3/21/00	JDMc



RECOMMENDED MOUNTING HOLE



SPECIFICATIONS:

IMPEDANCE: 50 OHMS
 FREQUENCY RANGE: 0-10 GHz
 WORKING VOLTAGE: 250 V rms @ sea level
 TEMPERATURE RANGE: -65°C TO 155°C
 INSULATION RESISTANCE: 5k M Ohms min.

1	BODY	1	BRASS	GOLD, 10μ"
2	CONTACT	1	Be. Cu.	GOLD, 30μ"
3	INSULATOR	1	PTFE	----
4	PRESS BODY	1	BRASS	GOLD, 10μ"
5	INSULATOR	1	PTFE	----
6	ROUND NUT	1	BRASS	NICKEL, 100μ"
7				
8				
9				
10				
11				
12				
13				
14				
#	DESCRIPTION	QTY	MATERIAL	FINISH

008974			
DRAWN	C. ZUNIGA	7/11/01	
CHECKED	<i>[Signature]</i>	7-23-01	
ORJ DRAWN	C. ZUNIGA	7/11/01	
APPROVALS	DATE		

UNLESS OTHERWISE SPECIFIED:

- REMOVE ALL BURRS
- BREAK ALL CORNERS & EDGES .005 R. MAX.
- CHAMFER 1ST & LAST THREADS 45°
- SURFACE ROUGHNESS 63 FINISH MIL-STD-10
- DIAMETERS ON COMMON CENTERS TO BE CONCENTRIC WITHIN .002 T.I.R.
- ALL DIMENSIONS ARE AFTER PLATING.

DIMENSIONS ARE IN INCHES AND [MILLIMETERS]
 UNLESS OTHERWISE NOTED TOLERANCES ARE:

DECIMALS	DIAMETER
.xxx±.003 [.08]	.xxx±.001 [.03]
.xx±.005 [.13]	.xx±.003 [.08]

RFconnectors
 DIVISION OF RF INDUSTRIES, LTD.

7610 MIRAMAR RD
 SAN DIEGO, CA 92126
 (858) 549-6340
 (858) 549-6345 FAX

1.0/2.3 JACK

RIGHT ANGLE, PCB MOUNT

SIZE	CABLE GROUP	DWG NO.	REV
A	N/A	RF123-7300-1	-
SCALE:	NTS	CAD FILE OUTLINE	SHEET 1 OF 1