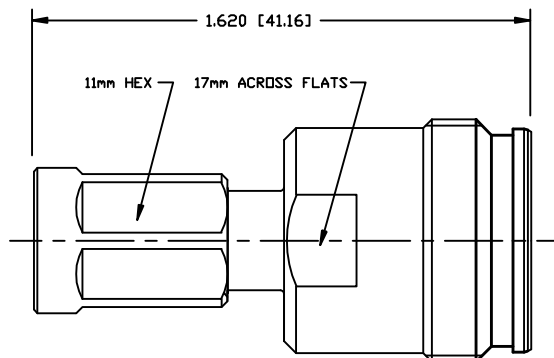
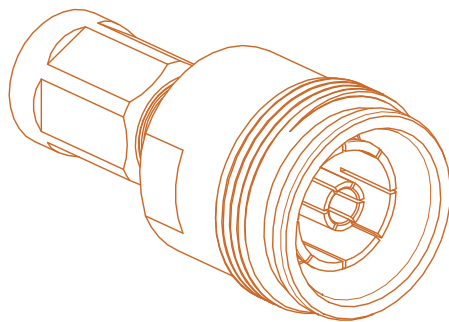


PART NO.

RF-X10M-43F

| REV | DESCRIPTION | DWN | DATE | APPROVED |
|-----|-------------|-----|--------|----------|
| - | RELEASED | JDM | 1/2/19 | JDM |

**SPECIFICATIONS:**

IMPEDANCE: 50 Ohms
 FREQUENCY RANGE: 0–6 GHz
 VSWR: 1.25 @ 6 GHz
 3rd ORDER IM dBc: <-160 dBc
 WORKING VOLTAGE: 1k V rms @ sea level
 TEMPERATURE RANGE: -45°C TO 85°C
 INSULATION RESISTANCE: 10K M Ohms min.
 RoHS COMPLIANT

| # | DESCRIPTION | QTY | MATERIAL | FINISH |
|---|----------------|-----|-------------|--------------|
| 6 | HEX NUT | 1 | BRASS | WHITE BRONZE |
| 5 | RETAINING RING | 1 | PHOS.BRONZE | ---- |
| 4 | GASKET | 1 | SILICONE | ---- |
| 3 | CONTACT | 1 | BE.CU. | SILVER |
| 2 | INSULATOR | 1 | PTFE | N/A |
| 1 | BODY | 1 | BRASS | WHITE BRONZE |

CUSTOMER
OUTLINE DRAWINGALL DIMENSIONS
ARE REFERENCE ONLYUNLESS OTHERWISE SPECIFIED:
DIMENSIONS ARE IN INCHES
AND [MILLIMETERS]DRAWN
D. McREYNOLDS 1/2/19
CHECKEDORJ DRAWN
JDM 1/2/19

PROPRIETARY AND CONFIDENTIAL
 THIS DRAWING CONTAINS
 INFORMATION PROPRIETARY TO
 RF INDUSTRIES. ANY
 UNAUTHORIZED USE OF THIS
 DRAWING IS EXPRESSLY
 PROHIBITED WITHOUT WRITTEN
 PERMISSION FROM RF
 INDUSTRIES. ANY VIOLATION IS
 PUNISHABLE UNDER U.S.
 COPYRIGHT LAWS.

RFconnectors
 DIVISION OF RF INDUSTRIES, LTD.

RFINDUSTRIES.COM
 7610 MIRAMAR RD.
 SAN DIEGO, CA 92126
 (858) 549-6340
 (858) 549-6345 FAX

**TYPE 10 MALE TO 4.3/10 FEMALE
 ADAPTER**

| SIZE | CABLE GROUP | DWG NO. | REV |
|--------|-----------------|--------------------|-----|
| A | N/A | RF-X10M-43F | — |
| SCALE: | ENGINEERING ID: | SHEET 1 OF 1 | |
| NTS | 000000 | | |