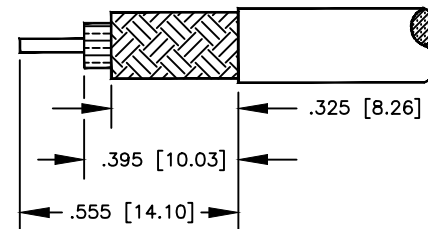
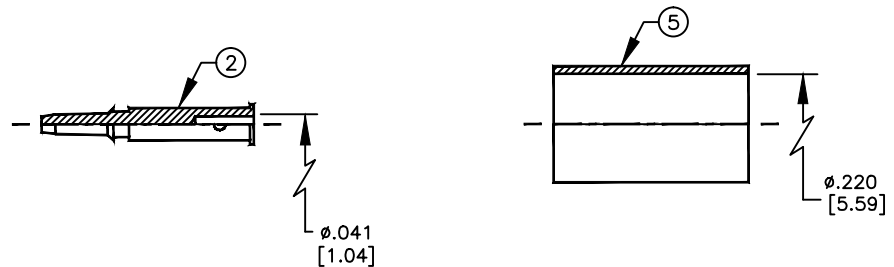
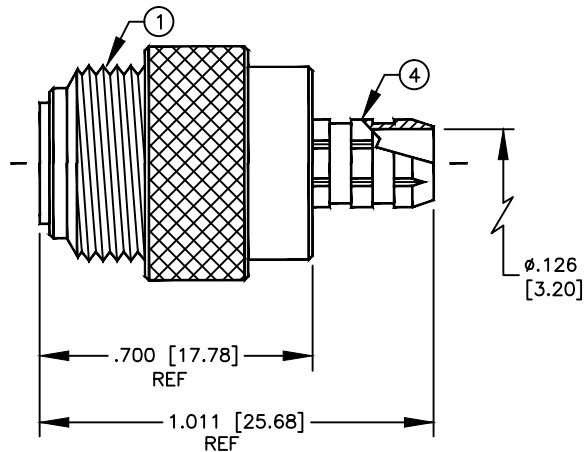


SPECIFICATION CONTROL DRAWING

THIS DRAWING CONTAINS INFORMATION PROPRIETARY TO RF INDUSTRIES, LTD. ANY UNAUTHORIZED USE OF THIS DRAWING IS EXPRESSLY PROHIBITED. ANY VIOLATION IS PUNISHABLE UNDER U.S. COPYRIGHT LAWS.

REV	DESCRIPTION	DWN	DATE	APPROVED
A	ENGINEERING RELEASE	DB	3/12/91	R. SMITH
B	CREATE SECTION DRAWING	KMM	8/12/96	R. RICE



SUGGESTED STRIPPING INSTRUCTIONS
SUGGESTED CRIMP DIE: .068 & .213

SPECIFICATIONS:

IMPEDANCE: 50 OHMS
 FREQUENCY RANGE: 0-3 GHz
 INSERTION LOSS: ≤ -0.2 dB @ 3 GHz
 VSWR MAX: 1.3:1 @ 3.0 GHz
 FOR RG-58, 58A, 58C, 141, 141A, 400/U, BELDEN 8219, 8240, 8259, 8262, 9201, 9203, 9310, 9311, COMM/SCOPE 0268 & CUSHCRAFT ULTRALINK TL92463E

ITEM	DESCRIPTION	QTY	MATERIAL	FINISH
5	FERRULE [FER-203]	1	BRASS	SILVER
4	FERRULE STUD	1	BRASS	SILVER
3	DIELECTRIC	1	PTFE	NONE
2	PIN	1	BRASS	GOLD
1	BODY	1	BRASS	SILVER

DIMENSIONS ARE IN INCHES AND [MILLIMETERS]	
UNLESS OTHERWISE NOTED TOLERANCES ARE:	
DECIMALS	DIAMETER
.XXX ±.003 [.08]	±.001 [.025]
DRAWN K. MAXWELL	8/12/96
CHECKED	
ISSUED H. HILL	8/12/96
ORJ DRAWN D. BRUMLEY	3/12/91
APPROVALS	DATE

RFconnectors
 DIVISION OF RF INDUSTRIES, LTD.

7610 MIRAMAR RD
 SAN DIEGO, CA 92126
 (619)549-6340
 (619)549-6345 FAX

PT-4010-030

UNIDAPT CRIMP

SIZE A	CABLE GROUP C	DWG NO. 7119	REV B
SCALE: NTS		CAD FILE	SHEET 1 OF 1