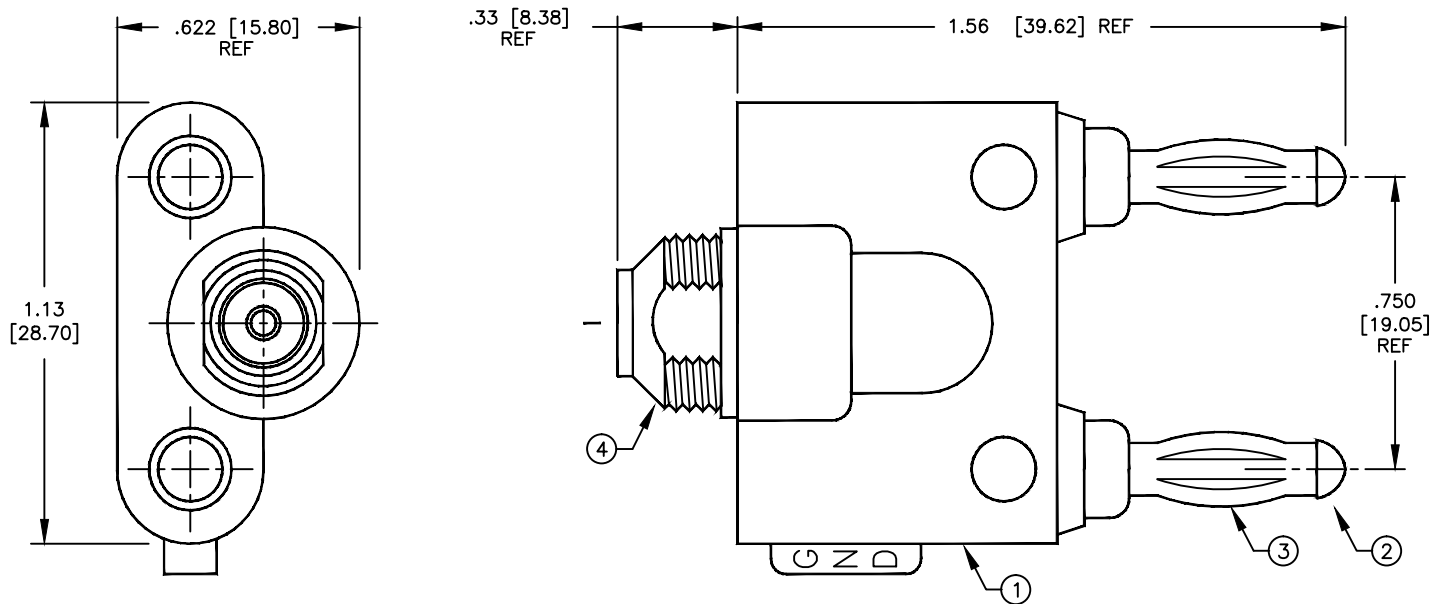


# SPECIFICATION CONTROL DRAWING

THIS DRAWING CONTAINS INFORMATION PROPRIETARY TO RF INDUSTRIES, LTD. ANY UNAUTHORIZED USE OF THIS DRAWING IS EXPRESSLY PROHIBITED. ANY VIOLATION IS PUNISHABLE UNDER U.S. COPYRIGHT LAWS.

REV	DESCRIPTION	DWN	DATE	APPROVED
A	ENGINEERING RELEASE	KMM	12/11/98	R. RICE

ALL DIMENSIONS ARE REFERENCE ONLY



## SPECIFICATIONS:

ITEM	DESCRIPTION	QTY	MATERIAL	FINISH
6	CONNECTOR DIELECTRIC	1	PTFE	NONE
5	CONNECTOR CONTACT	1	BRASS	GOLD
4	CONNECTOR BODY	1	BRASS	SILVER
3	SPRING	2	BeCu	NICKEL
2	ADAPTER POST	2	BRASS	NICKEL
1	ADAPTER BODY	1	ABS	BLACK

DIMENSIONS ARE IN INCHES AND [MILLIMETERS]  
UNLESS OTHERWISE NOTED TOLERANCES ARE:  
DECIMALS      DIAMETER

DRAWN K. MAXWELL	12/11/98
CHECKED	
ORJ DRAWN K. MAXWELL	12/11/98
APPROVALS	DATE

RFconnectors

DIVISION OF RF INDUSTRIES, LTD.

7610 MIRAMAR RD  
SAN DIEGO, CA 92126  
(619)549-6340  
(619)549-6345 FAX

## PT-4010-021

UNIDAPT TO DOUBLE BANANA PLUG

SIZE A	CABLE GROUP N/A	DWG NO. 8989	REV A
SCALE: NTS		CAD FILE	SHEET 1 OF 1