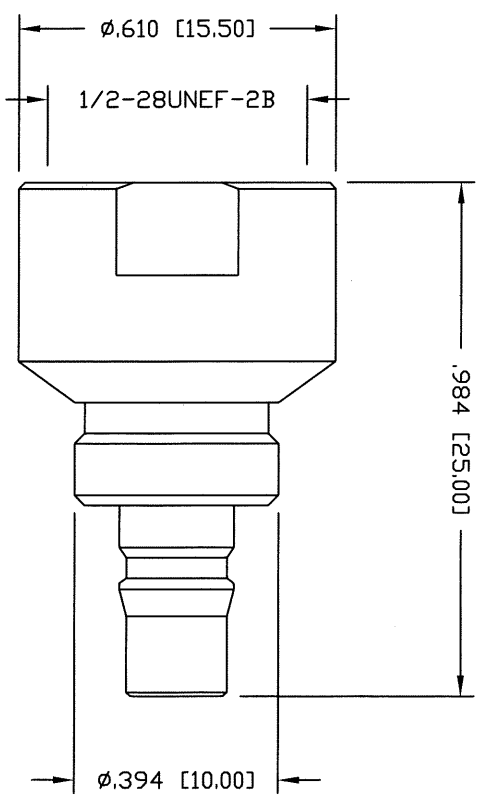


PART NO.		<b>PT-4000-142LP</b>	
REV	DESCRIPTION	DWN	DATE
A	PART NUMBER CHANGED	CZS	01/10/17
			APPROVED
			JDMc



**SPECIFICATIONS:**

IMPEDANCE: 50 Ohms  
 FREQUENCY RANGE: 0-3 GHz  
 VSWR: <1.15  
 DIELECTRIC WITHSTANDING VOLTAGE: 750V/AC  
 INSULATION RESISTANCE: 5K M Ohms  
 TEMPERATURE RANGE: -40°C TO 155°C  
 MECHANICAL DURABILITY: 500 CYCLES

#	DESCRIPTION	QTY	MATERIAL	FINISH
3	CONTACT	1	BeCu	SILVER
2	INSULATOR	1	PTFE	
1	BODY	1	BRASS	WHITE BRONZE
#	DESCRIPTION	QTY	MATERIAL	FINISH

CUSTOMER OUTLINE DRAWING	DRAWN C. ZUNIGA	01/10/17
ALL DIMENSIONS ARE REFERENCE ONLY	CHECKED C. ZUNIGA	1-11-17
UNLESS OTHERWISE SPECIFIED: DIMENSIONS ARE IN INCHES AND [MILLIMETERS]	DATE 06/09/16	

**ROHS COMPLIANT**

THIS DRAWING CONTAINS PROPRIETARY AND CONFIDENTIAL INFORMATION PROPRIETARY TO RF INDUSTRIES, ANY UNAUTHORIZED USE OF THIS DRAWING IS EXPRESSLY PROHIBITED WITHOUT WRITTEN PERMISSION FROM RF INDUSTRIES. ANY VIOLATION IS PUNISHABLE UNDER U.S. COPYRIGHT LAWS.

**RF Connectors**  
 DIVISION OF RF INDUSTRIES, LTD. 7610 MIRAMAR RD. SAN DIEGO, CA 92126 (658) 549-6340 (658) 549-6345 FAX

**UNIDAPT TO QMA JACK ADAPTER**

DWG. NO. **PT-4000-142LP**

ENGINEERING ID: 000000

SCALE: NTS

SHEET 1 OF 1