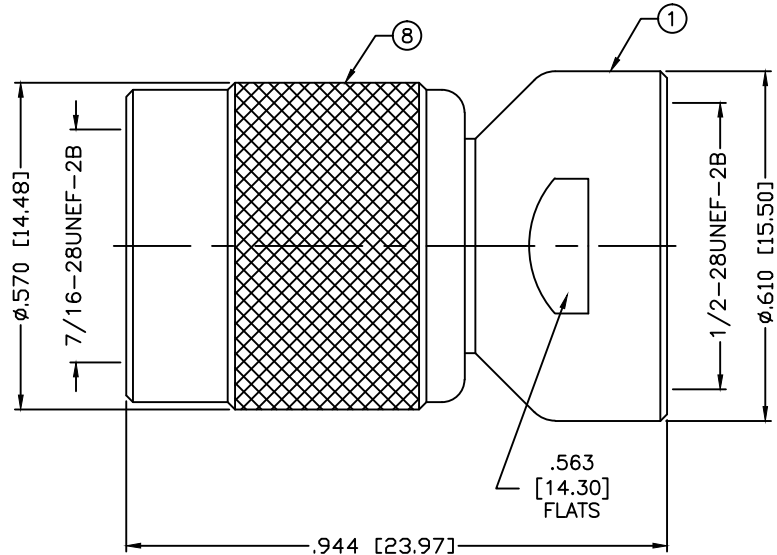


THIS DRAWING CONTAINS INFORMATION PROPRIETARY TO RF INDUSTRIES.
 ANY UNAUTHORIZED USE OF THIS DRAWING IS EXPRESSLY PROHIBITED
 WITHOUT WRITTEN PERMISSION FROM RF INDUSTRIES.
 ANY VIOLATION IS PUNISHABLE UNDER U.S. COPYRIGHT LAWS.

ALL DIMENSIONS ARE REFERENCE ONLY

PART NO.		PT-4000-135		
REV	DESCRIPTION	DWN	DATE	APPROVED
-	ENGINEERING RELEASE	CZS	6/19/02	JDMc



SPECIFICATIONS:

IMPEDANCE: 50 Ohms
 FREQUENCY RANGE: 0-7 GHz
 INSULATION RESISTANCE: 1k M Ohms min.
 VSWR: 1.05 @ 5.8 GHz
 INSERTION LOSS: .07dB @ 5.8 GHz
 TEMPERATURE RANGE: -65°C TO 85°C

1	BODY	1	BRASS	SILVER, 80μ"	008974	
2	INSULATOR	1	PTFE	---		
3	CONTACT	1	PHOS BRONZE	GOLD, 3μ"		
4	WASHER	1	BRASS	SILVER, 80μ"		
5	RING	1	DELRIN	---		
6	RETAINING RING	1	BRASS	SILVER, 80μ"		
7	GASKET	1	RUBBER	---		
8	SHELL	1	BRASS	SILVER, 80μ"		
9						
10					DRAWN	
11					C. ZUNIGA	
12					9/13/04	
13					CHECKED	
14						
					ORJ DRAWN	
					C. ZUNIGA	
					9/13/04	
#	DESCRIPTION	QTY	MATERIAL	FINISH	APPROVALS	DATE

UNLESS OTHERWISE SPECIFIED:

DIMENSIONS ARE IN INCHES AND [MILLIMETERS]
 UNLESS OTHERWISE NOTED TOLERANCES ARE:
 DECIMALS DIAMETER

RF connectors
 DIVISION OF RF INDUSTRIES, LTD.

7610 MIRAMAR RD
 SAN DIEGO, CA 92126
 (858) 549-6340
 (858) 549-6345 FAX

REVERSE POLARITY TNC JACK
 TO UNIDAPT

SIZE	CABLE GROUP	DWG NO.	REV
A	N/A	PT-4000-135	-

SCALE: NTS CAD FILE OUTLINE SHEET 1 OF 1