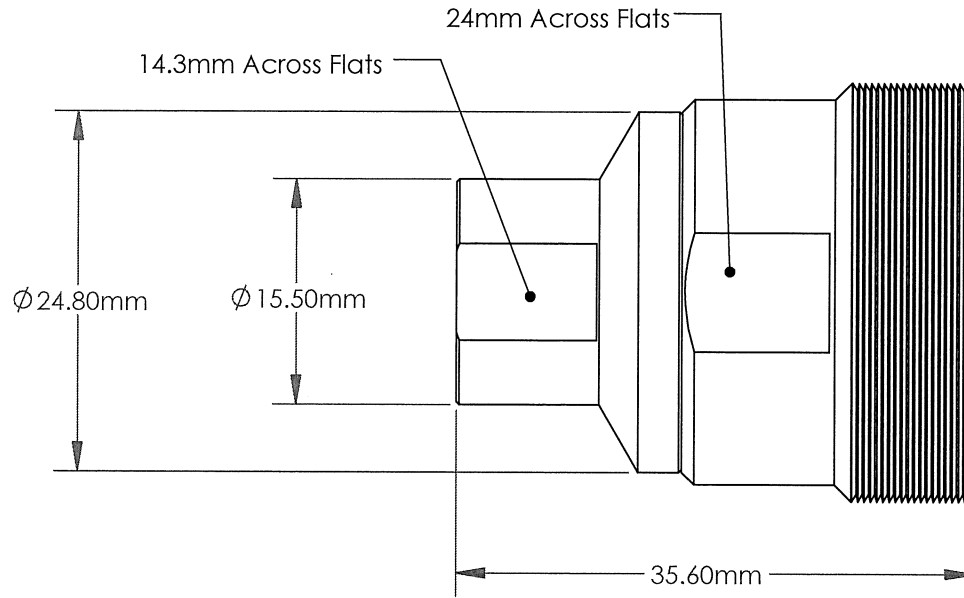


**PROPRIETARY AND CONFIDENTIAL**

THE INFORMATION CONTAINED IN THIS DRAWING IS THE SOLE PROPERTY OF RF INDUSTRIES. ANY REPRODUCTION IN PART OR AS A WHOLE WITHOUT THE WRITTEN PERMISSION OF RF INDUSTRIES IS PROHIBITED.



IMPEDANCE: 50 Ohms  
 FREQUENCY RANGE: 0-3GHZ  
 TEMP RANGE: -55C TO +155C  
 RoHS: COMPLIANT  
 MATING CYCLES: 500 MIN

UNLESS OTHERWISE SPECIFIED:		NAME	DATE	<b>RF INDUSTRIES</b> SAN DIEGO, CA., 7610 MIRAMAR RD. 92126 858-549-6340 FAX 858-549-6345	
DIMENSIONS ARE IN INCHES TOLERANCES: DIAMETERS ±.001 ANGULAR: MACH±1° TWO PLACE DECIMAL ±.005 THREE PLACE DECIMAL ±.002 FINISH 63S MAX.		DRAWN	SB		
INTERPRET GEOMETRIC TOLERANCING PER:		CHECKED			TITLE: <b>7-16 DIN FEMALE TO UNIDAPT</b>
MATERIAL BRASS		ENG APPR.			
FINISH SILVER 120 Micro/CU strike		MFG APPR.			SIZE <b>A</b>
DO NOT SCALE DRAWING		Q.A.			
		COMMENTS: CHAMFER 1ST AND LAST THREADS WITH 45°			REV <b>A</b>
				SCALE: 1:1	WEIGHT:
				SHEET 1 OF 1	