

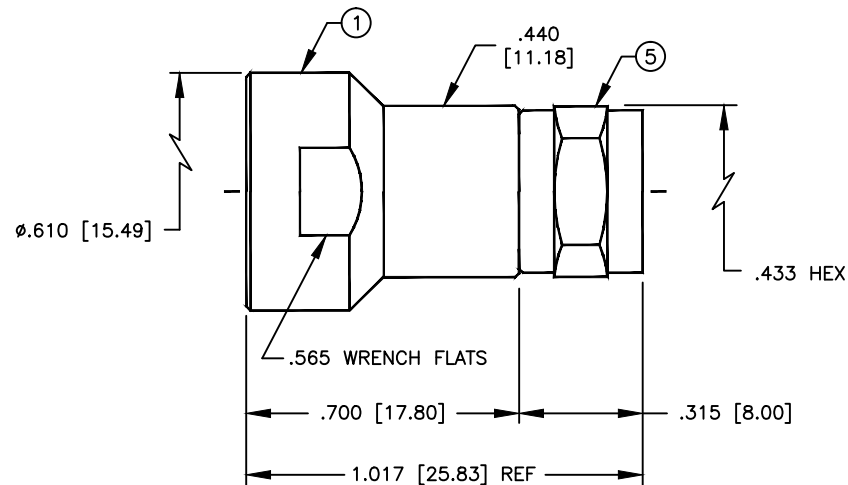
# SPECIFICATION CONTROL DRAWING

THIS DRAWING CONTAINS INFORMATION PROPRIETARY TO RF INDUSTRIES, LTD. ANY UNAUTHORIZED USE OF THIS DRAWING IS EXPRESSLY PROHIBITED. ANY VIOLATION IS PUNISHABLE UNDER U.S. COPYRIGHT LAWS.

REV	DESCRIPTION	DWN	DATE	APPROVED
A	ENGINEERING RELEASE	CZS	7/22/99	R. RICE

ALL DIMENSIONS ARE REFERENCE ONLY

008974



## SPECIFICATIONS:

IMPEDANCE: 50 OHMS  
 WORKING VOLTAGE: 100 VRMS @ SEA LEVEL  
 FREQUENCY RANGE: 0-300 MHz

DIMENSIONS ARE IN INCHES AND [MILLIMETERS]

UNLESS OTHERWISE NOTED TOLERANCES ARE:  
 DECIMALS      DIAMETER



7610 MIRAMAR RD  
 SAN DIEGO, CA 92126  
 (858) 549-6340  
 (858) 549-6345 FAX

## PT-4000-017

UNIDAPT TO F MALE

ITEM	DESCRIPTION	QTY	MATERIAL	FINISH
5	SHELL	1	BRASS	SILVER
4	RETAINING RING SLEEVE	1	BRASS	SILVER
3	DIELECTRIC	1	PTFE	NONE
2	CONTACT	1	PHOS BRONZE	GOLD
1	BODY	1	BRASS	SILVER

DRAWN C. ZUNIGA	7/22/99
CHECKED	
ORJ DRAWN C. ZUNIGA	7/22/99

SIZE	CABLE GROUP	DWG NO.	REV
A	N/A	9214	A

ITEM	DESCRIPTION	QTY	MATERIAL	FINISH	APPROVALS	DATE	SCALE:	CAD FILE	SHEET
							2:1	13ARC B	1 OF 1