

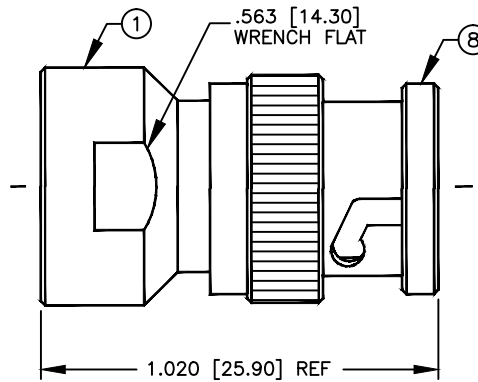
SPECIFICATION CONTROL DRAWING

THIS DRAWING CONTAINS INFORMATION PROPRIETARY TO RF INDUSTRIES, LTD. ANY UNAUTHORIZED USE OF THIS DRAWING IS EXPRESSLY PROHIBITED. ANY VIOLATION IS PUNISHABLE UNDER U.S. COPYRIGHT LAWS.

REV	DESCRIPTION	DWN	DATE	APPROVED
A	ENGINEERING RELEASE	SS	10/6/88	-
B	UPDATE DRAWING	CZS	1/7/98	R. RICE

ALL DIMENSIONS ARE REFERENCE ONLY

008974



SPECIFICATIONS:

IMPEDANCE: 50 OHMS
 WORKING VOLTAGE: 500 VRMS @ SEA LEVEL
 FREQUENCY RANGE: 0-4 GHz
 INSERTION LOSS: \leq -.2 dB
 VSWR MAX: 1.4:1

DIMENSIONS ARE IN INCHES AND [MILLIMETERS]

UNLESS OTHERWISE NOTED TOLERANCES ARE:

DECIMALS DIAMETER

DRAWN
C. ZUNIGA 1/7/98

CHECKED

ORJ DRAWN
S. SMITH 10/6/88

APPROVALS DATE

RFconnectors
 DIVISION OF RF INDUSTRIES, LTD.

7610 MIRAMAR RD
 SAN DIEGO, CA 92126
 (619)549-6340
 (619)549-6345 FAX

PT-4000-004

UNIDAPT TO BNC MALE

SIZE A	CABLE GROUP N/A	DWG NO. 8835	REV B
-----------	--------------------	-----------------	----------

SCALE: 2:1

CAD FILE 13ARC B

SHEET 1 OF 1

ITEM	DESCRIPTION	QTY	MATERIAL	FINISH
8	SHELL	1	BRASS	SILVER
7	WASHER	1	BRASS	SILVER
6	SPRING	1	SK5	NICKEL
5	RETAINING RING	1	BRASS	NICKEL
4	GASKET	1	S.I. RUBBER	RED
3	DIELECTRIC	1	PTFE	NONE
2	CONTACT	1	PHOS BRONZE	GOLD
1	BODY	1	BRASS	SILVER