

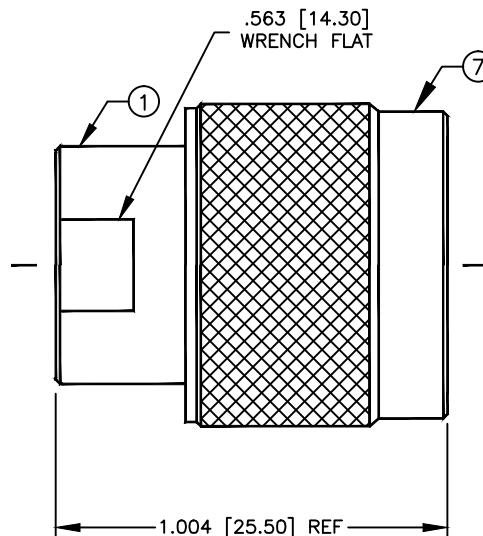
# SPECIFICATION CONTROL DRAWING

THIS DRAWING CONTAINS INFORMATION PROPRIETARY TO RF INDUSTRIES, LTD. ANY UNAUTHORIZED USE OF THIS DRAWING IS EXPRESSLY PROHIBITED. ANY VIOLATION IS PUNISHABLE UNDER U.S. COPYRIGHT LAWS.

REV	DESCRIPTION	DWN	DATE	APPROVED
A	ENGINEERING RELEASE	SS	1/20/89	-
B	UPDATE DRAWING	CZS	1/7/98	R. RICE

ALL DIMENSIONS ARE REFERENCE ONLY

008974



## SPECIFICATIONS:

IMPEDANCE: 50 OHMS  
 WORKING VOLTAGE: 1000 VRMS @ SEA LEVEL  
 FREQUENCY RANGE: 10 GHz  
 INSERTION LOSS:  $\leq -0.2$  dB  
 VSWR MAX: 1.3:1

DIMENSIONS ARE IN INCHES AND [MILLIMETERS]

UNLESS OTHERWISE NOTED TOLERANCES ARE:

DECIMALS      DIAMETER

DRAWN  
C. ZUNIGA      1/7/98

CHECKED

ORJ DRAWN  
S. SMITH      1/20/89

APPROVALS      DATE

**RFconnectors**  
 DIVISION OF RF INDUSTRIES, LTD.

7610 MIRAMAR RD  
 SAN DIEGO, CA 92126  
 (619)549-6340  
 (619)549-6345 FAX

PT-4000-003

UNIDAPT TO N MALE

ITEM	DESCRIPTION	QTY	MATERIAL	FINISH
7	SHELL	1	BRASS	SILVER
6	RETAINING RING	1	BRASS	NICKEL
5	GASKET	1	S.I. RUBBER	RED
4	GROUND RING	1	BRASS	SILVER
3	DIELECTRIC	1	PTFE	NONE
2	CONTACT	1	PHOS BRONZE	GOLD
1	BODY	1	BRASS	SILVER

SIZE	CABLE GROUP	DWG NO.	REV
A	N/A	8834	B

SCALE: 2:1

CAD FILE 13ARC B

SHEET 1 OF 1