

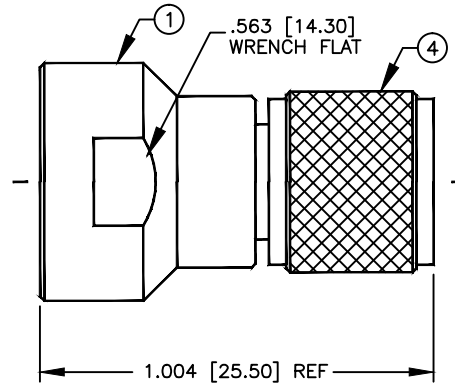
# SPECIFICATION CONTROL DRAWING

THIS DRAWING CONTAINS INFORMATION PROPRIETARY TO RF INDUSTRIES, LTD. ANY UNAUTHORIZED USE OF THIS DRAWING IS EXPRESSLY PROHIBITED. ANY VIOLATION IS PUNISHABLE UNDER U.S. COPYRIGHT LAWS.

REV	DESCRIPTION	DWN	DATE	APPROVED
A	ENGINEERING RELEASE	SS	8/14/89	-
B	UPDATE DRAWING	CZS	1/6/98	R. RICE

008974

ALL DIMENSIONS ARE REFERENCE ONLY



## SPECIFICATIONS:

IMPEDANCE: 50 OHMS  
 WORKING VOLTAGE: 335 VRMS @ SEA LEVEL  
 FREQUENCY RANGE: 0-2.5 GHz  
 INSERTION LOSS:  $\leq$  -.2 dB  
 VSWR MAX: 1.25:1

DIMENSIONS ARE IN INCHES AND [MILLIMETERS]

UNLESS OTHERWISE NOTED TOLERANCES ARE:

DECIMALS      DIAMETER

*RFconnectors*

DIVISION OF RF INDUSTRIES, LTD.

7610 MIRAMAR RD  
 SAN DIEGO, CA 92126  
 (619)549-6340  
 (619)549-6345 FAX

## PT-4000-002

UNIDAPT TO MINI UHF MALE

ITEM	DESCRIPTION	QTY	MATERIAL	FINISH
4	SHELL	1	BRASS	SILVER
3	DIELECTRIC	1	PTFE	NONE
2	CONTACT	1	PHOS BRONZE	GOLD
1	BODY	1	BRASS	SILVER

DRAWN C. ZUNIGA	1/6/98
CHECKED	
ORJ DRAWN S. SMITH	8/14/89
APPROVALS	DATE

SIZE A	CABLE GROUP N/A	DWG NO. 8833	REV B
SCALE: 2:1		CAD FILE 13ARC B	SHEET 1 OF 1