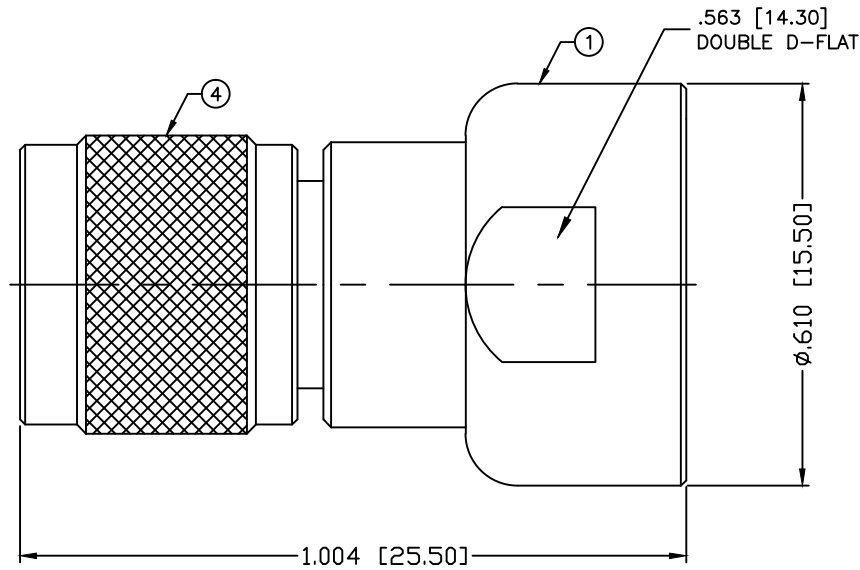


PART NO. PT-4000-002-WB

REV	DESCRIPTION	DWN	DATE	APPROVED
-	ENGINEERING RELEASE	CZS	02/07/11	JDMc



SPECIFICATIONS:

IMPEDANCE: 50 OHMS
 WORKING VOLTAGE: 335 VRMS @ SEA LEVEL
 FREQUENCY RANGE: 0-2.5 GHz
 INSERTION LOSS: ≤ -0.2 dB
 VSWR MAX: 1.25:1

#	DESCRIPTION	QTY	MATERIAL	FINISH
6	RETAINER RING	1	SST	---
5	LOCK RING	1	BRASS	WHITE BRONZE
4	SHELL	1	BRASS	WHITE BRONZE
3	CONTACT	1	PHOS BRONZE	GOLD
2	INSULATOR	1	PTFE	---
1	BODY	1	BRASS	WHITE BRONZE

CUSTOMER OUTLINE DRAWING	
ALL DIMENSIONS ARE REFERENCE ONLY	
UNLESS OTHERWISE SPECIFIED: DIMENSIONS ARE IN INCHES AND [MILLIMETERS]	
DRAWN C. ZUNIGA	02/07/11
CHECKED	
ORJ DRAWN C. ZUNIGA	02/07/11

RoHS COMPLIANT

PROPRIETARY AND CONFIDENTIAL
 THIS DRAWING CONTAINS
 INFORMATION PROPRIETARY TO
 RF INDUSTRIES. ANY
 UNAUTHORIZED USE OF THIS
 DRAWING IS EXPRESSLY
 PROHIBITED WITHOUT WRITTEN
 PERMISSION FROM RF
 INDUSTRIES. ANY VIOLATION IS
 PUNISHABLE UNDER U.S.
 COPYRIGHT LAWS.

RFconnectors 7610 MIRAMAR RD.
 SAN DIEGO, CA 92126
 (858) 549-6340
 DIVISION OF RF INDUSTRIES, LTD. (858) 549-6345 FAX

UNIDAPT TO
 MINI UHF PLUG

SIZE A	CABLE GROUP N/A	DWG NO. PT-4000-002-WB	REV ---
SCALE: NTS	ENGINEERING ID: 001560	SHEET 1 OF 1	