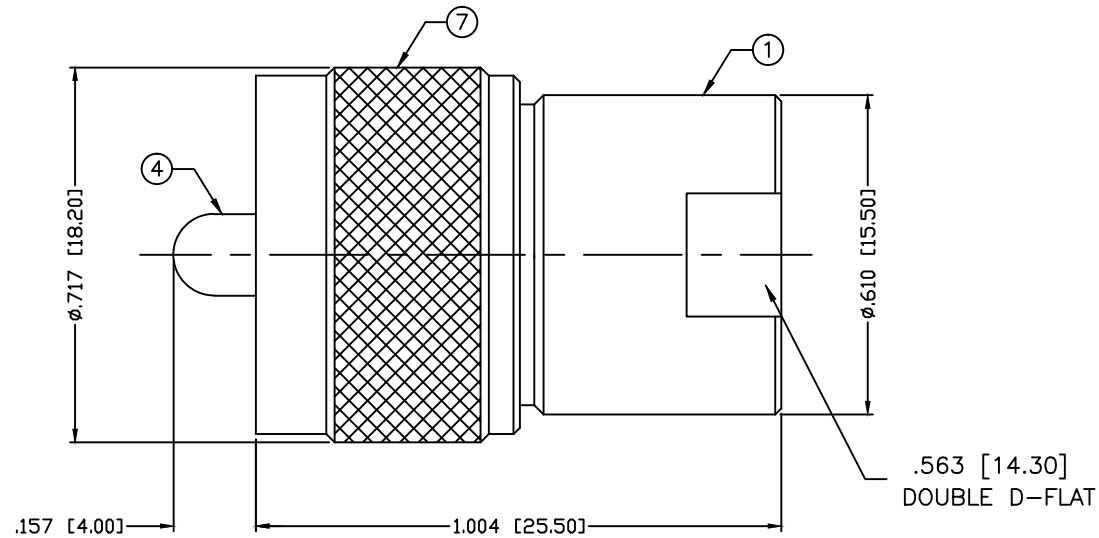


PART NO. PT-4000-001-WB

REV	DESCRIPTION	DWN	DATE	APPROVED
-	ENGINEERING RELEASE	CZS	02/07/11	JDMc



SPECIFICATIONS:

IMPEDANCE: NON CONSTANT
 WORKING VOLTAGE: 500 VRMS @ SEA LEVEL
 FREQUENCY RANGE: 0-300 MHz

#	DESCRIPTION	QTY	MATERIAL	FINISH
7	SHELL	1	BRASS	WHITE BRONZE
6	RETAINER RING	1	BRASS	WHITE BRONZE
5	INSULATOR	1	PTFE	---
4	PIN	1	BRASS	GOLD
3	CONTACT	1	PHOS BRONZE	GOLD
2	INSULATOR	1	PTFE	---
1	BODY	1	BRASS	WHITE BRONZE

CUSTOMER OUTLINE DRAWING	
ALL DIMENSIONS ARE REFERENCE ONLY	
UNLESS OTHERWISE SPECIFIED: DIMENSIONS ARE IN INCHES AND [MILLIMETERS]	
DRAWN C. ZUNIGA	02/07/11
CHECKED	
ORJ DRAWN C. ZUNIGA	02/07/11

RoHS COMPLIANT
PROPRIETARY AND CONFIDENTIAL THIS DRAWING CONTAINS INFORMATION PROPRIETARY TO RF INDUSTRIES. ANY UNAUTHORIZED USE OF THIS DRAWING IS EXPRESSLY PROHIBITED WITHOUT WRITTEN PERMISSION FROM RF INDUSTRIES. ANY VIOLATION IS PUNISHABLE UNDER U.S. COPYRIGHT LAWS.

RFconnectors		7610 MIRAMAR RD. SAN DIEGO, CA 92126 (858) 549-6340	
DIVISION OF RF INDUSTRIES, LTD. (858) 549-6345 FAX			
UNIDAPT TO UHF PLUG			
SIZE A	CABLE GROUP N/A	DWG NO. PT-4000-001-WB	REV ---
SCALE: NTS	ENGINEERING ID: 001560	SHEET 1 OF 1	