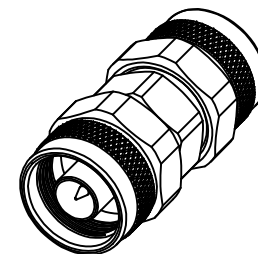
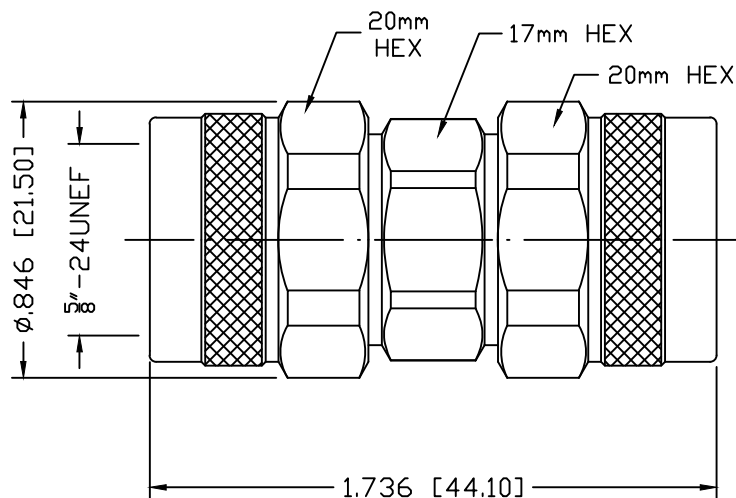


PART NO.

**P2RFN-M-M**

REV	DESCRIPTION	DWN	DATE	APPROVED
-	ENGINEERING RELEASE	CZS	03/13/17	JDMc



NTS

**SPECIFICATIONS:**

IMPEDANCE: 50 Ohms  
 FREQUENCY RANGE: 0–7.5 GHz  
 MAX. PIM: <math>-16\text{dBc}</math> (1900 MHz)  
 VSWR: 0 TO 3 GHz <math><1.10:1</math>  
 VSWR: 3 TO 7.5 GHz <math><1.25:1</math>  
 INSERTION LOSS: 0.05 dB MAX. @ 3.0 GHz  
 INSULATION RESISTANCE: 5K MOhms  
 WORKING VOLTAGE: 1200 vrms MAX.  
 MATING CYCLES: 500  
 TEMPERATURE RANGE:  $-55^{\circ}\text{C}$  TO  $165^{\circ}\text{C}$

CUSTOMER  
OUTLINE DRAWINGALL DIMENSIONS  
ARE REFERENCE ONLYUNLESS OTHERWISE SPECIFIED:  
DIMENSIONS ARE IN INCHES  
AND [MILLIMETERS]DRAWN  
C. ZUNIGA 03/13/17  
CHECKEDORJ DRAWN  
C. ZUNIGA 03/13/17**RoHS  
COMPLIANT**

PROPRIETARY AND CONFIDENTIAL  
 THIS DRAWING CONTAINS  
 INFORMATION PROPRIETARY TO  
 RF INDUSTRIES. ANY  
 UNAUTHORIZED USE OF THIS  
 DRAWING IS EXPRESSLY  
 PROHIBITED WITHOUT WRITTEN  
 PERMISSION FROM RF  
 INDUSTRIES. ANY VIOLATION IS  
 PUNISHABLE UNDER U.S.  
 COPYRIGHT LAWS.

**RFconnectors**

7610 MIRAMAR RD.  
 SAN DIEGO, CA 92126  
 (858) 549-6340  
 DIVISION OF RF INDUSTRIES, LTD. (858) 549-6345 FAX

**N MALE BARREL  
ADAPTER**

SIZE	CABLE GROUP	DWG NO.	REV
A	N/A	<b>P2RFN-M-M</b>	—
SCALE:	ENGINEERING ID:	SHEET 1 OF 1	
NTS	000000		

#	DESCRIPTION	QTY	MATERIAL	FINISH
6	SHELL	2	BRASS	WHITE BRONZE
5	RETAINING RING	2	PHOS. BRONZE	WHITE BRONZE
4	GASKET	2	RUBBER	---
3	CONTACT	1	BRASS	SILVER
2	INSULATOR	1	PTFE	---
1	BODY	1	BRASS	WHITE BRONZE