

PRODUCT SPECIFICATION DRAWING

P2RFD-1672-4

FINISH:
 BODIES &
 HARDWARE:
 CONTACT & PIN:

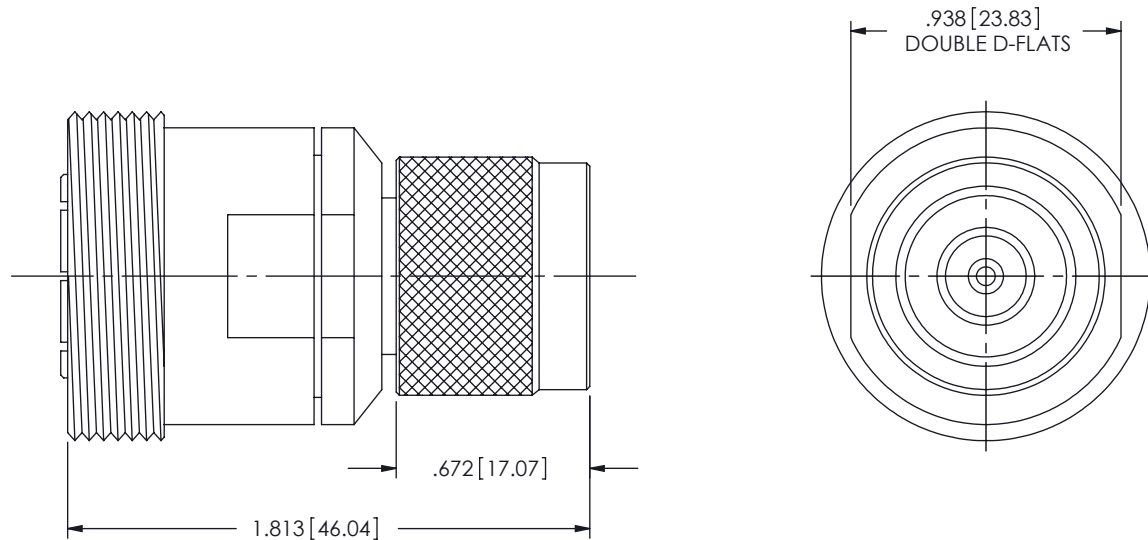
WHITE BRONZE
 WHITE BRONZE OVER SILVER

PERFORMANCE:

IMPEDANCE: 50 OHMS
 Vp: 77%
 FREQ. RANGE: DC TO 7.5 GHz
 DELAY: 166ps
 VSWR: <1.10:1 @ DC-7.5 GHz
 INSERTION LOSS: -.01db @ $\sqrt{7.5}$ GHz
 3rd ORDER IM -dBc: > -150 dBc
 TORQUE: 10 inLb
 OPERATING
 TEMP RANGE: -55°C TO +150°C

MATERIAL:
 BODIES,
 HARDWARE
 & PIN:
 CONTACT:
 O-RING:
 INSULATOR:

BRASS
 BERYLLIUM COPPER
 SILICONE RUBBER, ZZ-R-765 DUROMETER 70
 PTFE PER ASTM-D1710



REVISION HISTORY				<p style="margin: 0;">PROPRIETARY</p> <p style="font-size: small; margin: 0;">THE INFORMATION HEREIN IS CONFIDENTIAL AND PROPRIETARY. NO DISCLOSURE, REPRODUCTION, OR FURTHER DISSEMINATION MAY BE MADE WITH-OUT THE EXPRESSED WRITTEN CONSENT OF RF INDUSTRIES.</p>	DIMENSIONS ARE IN INCHES TOLERANCES: FRACTIONAL: ±1/64 ANGULAR: X° ±1'0" X*X' ±15' DECIMAL: .X ±.030 .XX ±.015 .XXX ±.005 INTERPRET DIMENSIONS AND TOLERANCES PER ASME Y14.5M - 1994		UNLESS OTHERWISE SPECIFIED 1) ALL DIMENSIONS ARE AFTER PLATING & HEAT TREATING. 2) BREAK CORNERS & EDGES .005 RADIUS MAX. 3) CHAMFER FIRST & LAST THREADS. 4) SURFACE ROUGHNESS 63 Y1/A.W. MIL-STD-10. 5) DIAMETERS ON COMMON CENTERS TO BE CONCENTRIC WITHIN T.I.R. 6) REMOVE ALL BURRS		<p style="font-size: x-small; margin: 0;">7610 MIRAMAR ROAD, SAN DIEGO, CA 92126-4202 (858) 549-6340 - FAX (858) 549-6345 - RFP2@RFINDUSTRIES.COM</p>	
REV	DESCRIPTION	DATE	APPROVED			DRAWN BY: C. ZUNIGA	10/10/10	TITLE: <h2 style="margin: 0;">7-16 DIN JACK TO N PLUG ADAPTER</h2>		
-	ENGINEERING RELEASE	10/10/10	JDMc		ENG APPROVAL: D. McREYNOLDS		SIZE A	CODE 000000	DWG. NO. P2RFD-1672-4	
					MFG APPROVAL: --		SHEET 1 OF 1			
					QA APPROVAL: --					